

接插装置·实力厂家

防水 防尘 防腐 耐高温 抗老化



细节呈现品质 每一处都是精工打造



SCHUKO®



产品选型手册

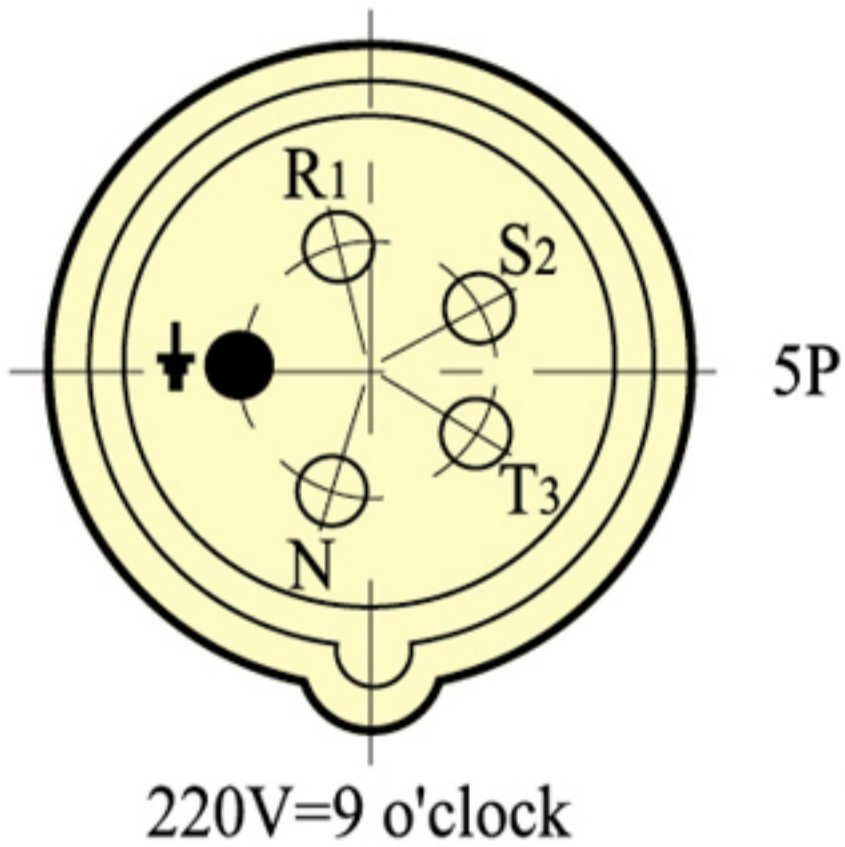
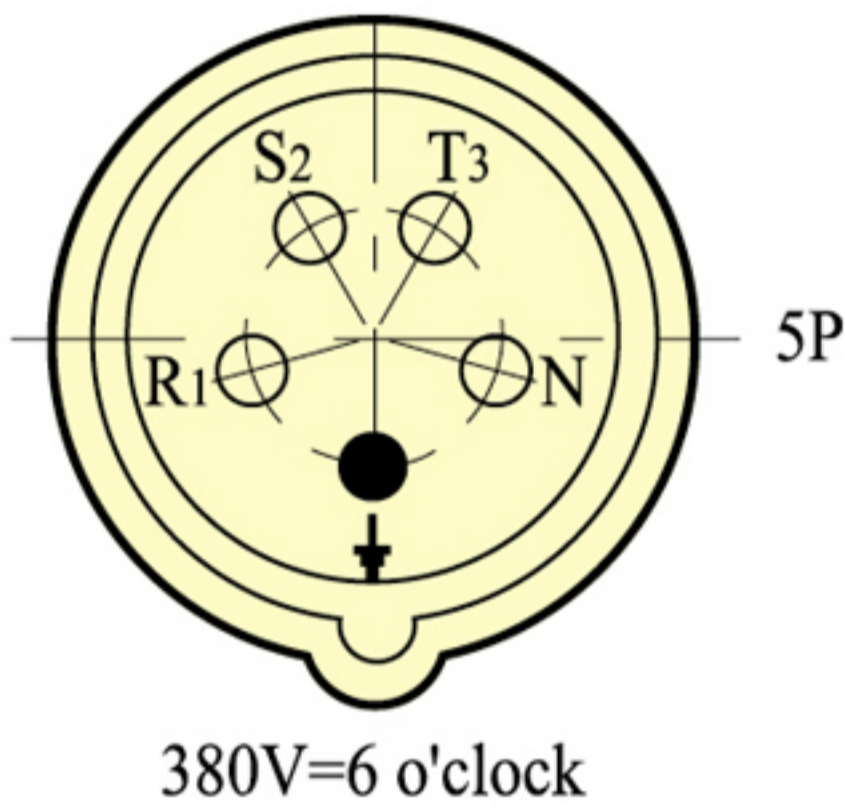
TYPE SELECTING MANUAL OF PRODUCT

Industrial connecting devices

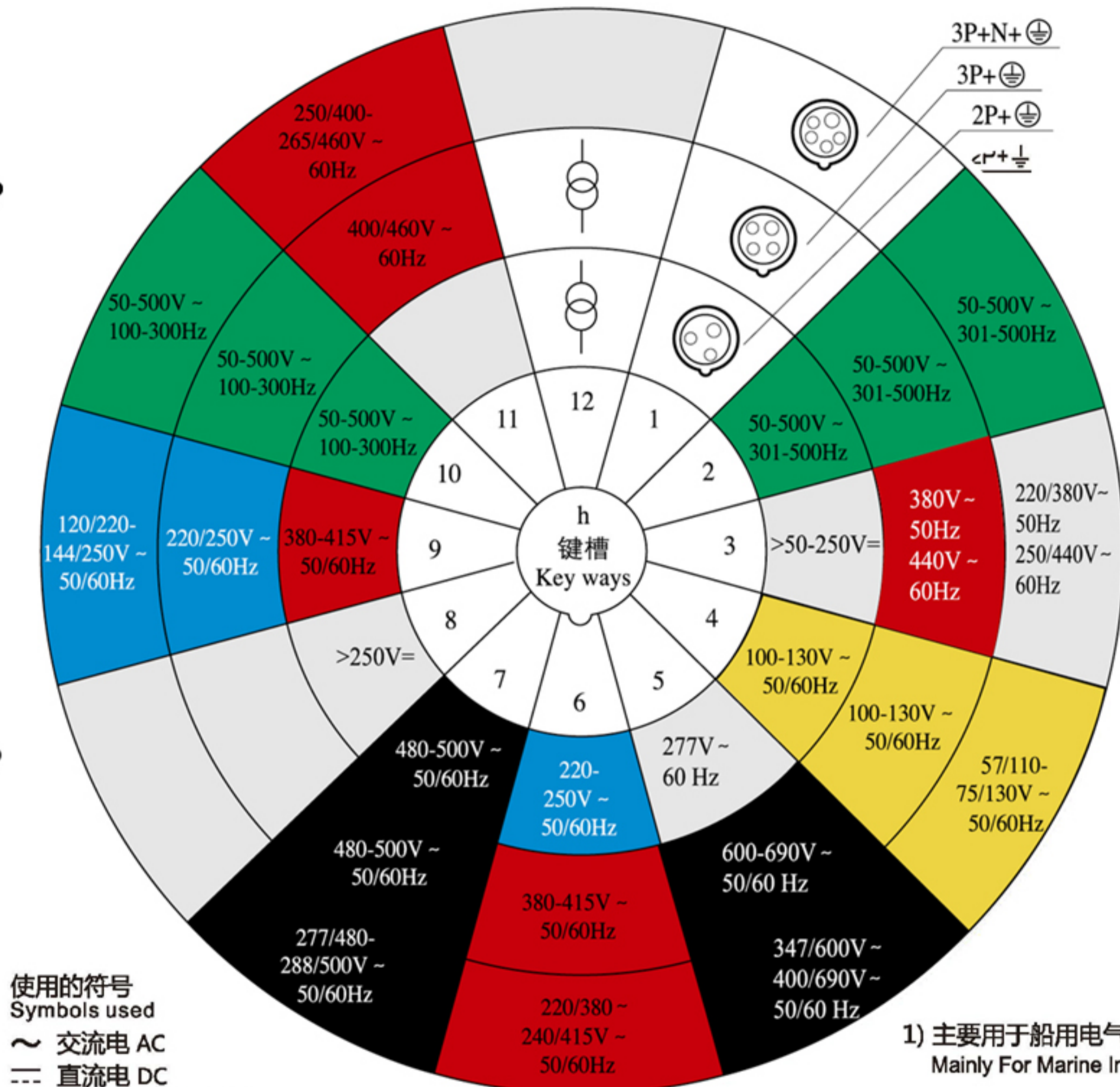
Product Catalogue | 2022

所有的产品都按照CEE/IEC60309-1/2, EN60309-1/2, GB/T11918.1, GB/T11918.2, GB/T11918.4, DIN49462/49463和BS4343标准, 以颜色区分电压及频率, 参照以下图表可以看出产品之间不具互换性, 因为接地插销和插套的直径比较大, 并且按照电压和频率被置于不同的时钟位置。

The colour codes correspond to the nominal voltage and frequency, in accordance with CEE/IEC60309-1/2, EN60309-1/2, GB/T11918.1, GB/T11918.2, GB/T11918.4, DIN49462/49463 and BS4343 standard. The diameter of the earth contact pin is larger than that of the phase contact pins, which prevents incorrect insertion. Position of ground contact sleeve with respect to major keyway for various voltages and frequencies.



插座(前视图)
SOCKET(front view)



使用的符号
Symbols used
~ 交流电 AC
- - - 直流电 DC
⊕ 在隔离变压器后面
Behind isolation transformer

- 1) 主要用于船用电气装置。
Mainly For Marine Installations
- 2) 仅用于(标准化的ISO)冷藏容器。
Only For Refrigerator Containers
(ISO Standard)

每个产品上都详尽地标有额定电流, 电压, 频率, 接地触头和小键或小键槽的位置。对于额定电压超过50V的接插件, 标明接地触头位置的符号用数字后面加上字母h来表示。这个数字是连接器或者插座的正面与时钟相比较, 将键槽的位置定为6时, 根据接地插套的位置确定的。

Plugs and receptacles have detail marks for rated current, voltage, frequency, earth contact and keyway. Plug and receptacles with rated voltages above 50V must have an earth contact, use "clock face number" plus "h" to indicate earth contact position. Receptacle and connector "clock" position: Receptacle or connector keyway point to 6 o'clock position, the position of receptacle and connector earth contact is given as a clockface number.



3 2P+E
4 3P+E
5 3P+N+E



110V
50a.60Hz
3pol 4pol 5pol
4h 4h 4h



230V
50a.60Hz
3pol 4pol 5pol
6h 9h 9h



400V
50a.60Hz
3pol 4pol 5pol
9h 6h 6h



500V
50a.60Hz
3pol 4pol 5pol
7h 7h 7h



>50-
500V
100-
300Hz
3pol 4pol 5pol
10h 10h 10h

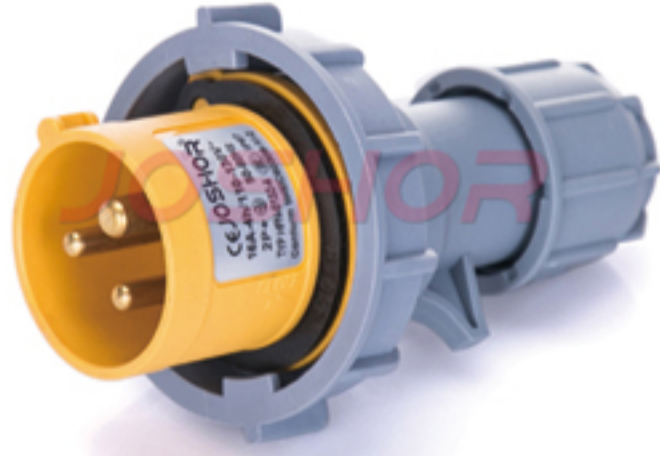


>50-
500V
300-
300Hz
3pol 4pol 5pol
2h 2h 2h

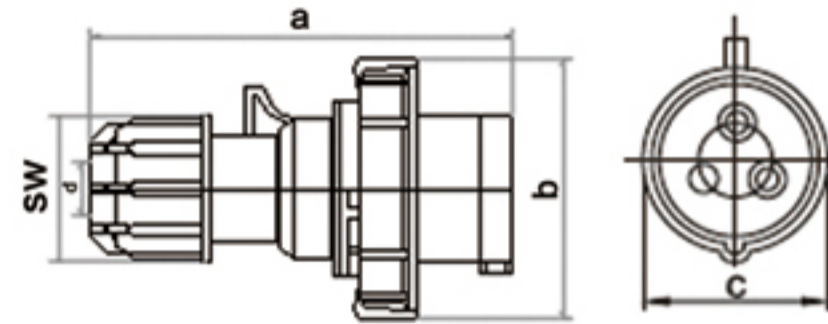


JOSHOR[®]

3P16A 110V(SK0132-4)/3P32A 110V(SK0232-4)



电 流 Current (A) : 16A.32A
电 压 Voltage(V): 110-130V~2P+E
防护等级 Protection degree: IP67

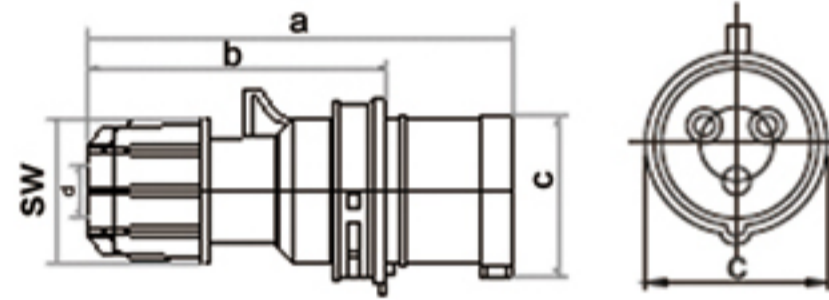


earth contact position		4h	
rated current(A)		16	32
	pole	3	
dimension(mm)	a	118	146
	b	82	100
	c	47	63
	d	6-15	10-20
	sw	38	50
cable nominal cross-section area(mm ²)		1-2.5	2.5-6

3P16A 220V(SKN013)/3P32A 220V(SKN023)



电 流 Current (A) : 16A.32A
电 压 Voltage(V): 220-240V~2P+E
防护等级 Protection degree: IP44

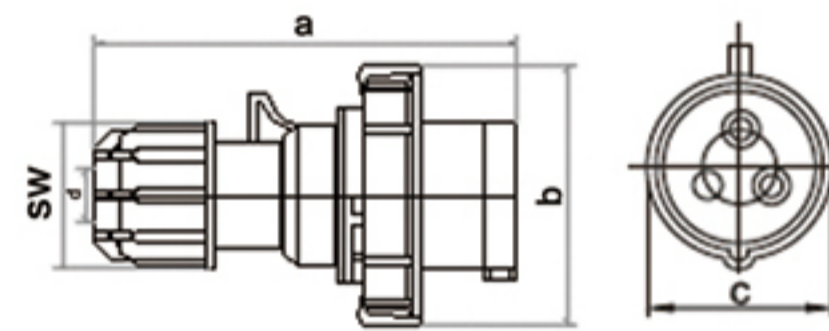


earth contact position		6h	
rated current(A)		16	32
	pole	3	
dimension(mm)	a	118	146
	b	82	100
	c	47	63
	d	6-15	10-20
	sw	38	50
cable nominal cross-section area(mm ²)		1-2.5	2.5-6

3P16A 220V(SK0132)/3P32A 220V(SK0232)



电 流 Current (A) : 16A.32A
电 压 Voltage(V): 220-240V~2P+E
防护等级 Protection degree: IP67

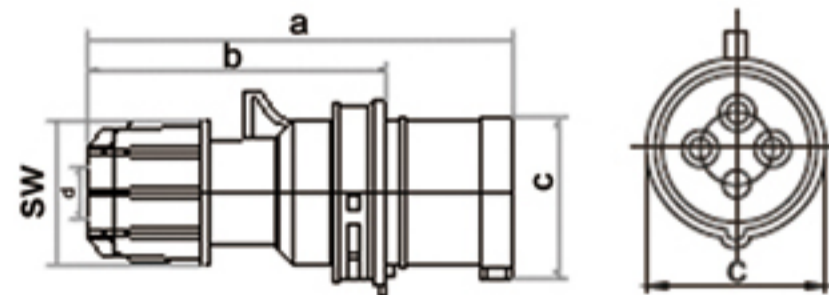


earth contact position		6h	
rated current(A)		16	32
	pole	3	
dimension(mm)	a	118	146
	b	82	100
	c	47	63
	d	6-16	10-20
	sw	38	50
cable nominal cross-section area(mm ²)		1-2.5	2.5-6

4P16A 380V(SKN014)/4P32A 380V(SKN024)



电 流 Current (A) : 16A.32A
电 压 Voltage(V): 380-415~3P+E
防护等级 Protection degree: IP44

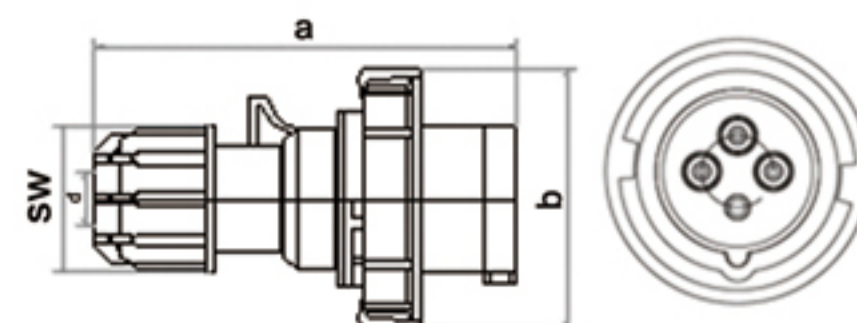


earth contact position		6h	
rated current(A)		16	32
	pole	4	
dimension(mm)	a	124	146
	b	88	100
	c	53	63
	d	6-15	10-20
	sw	38	50
cable nominal cross-section area(mm ²)		1-2.5	2.5-6

4P16A 380V(SK0142)/4P32A 380V(SK0242)




电 流 Current (A) : 16A.32A
电 压 Voltage(V): 380-415V~3P+E
防护等级 Protection degree: IP67



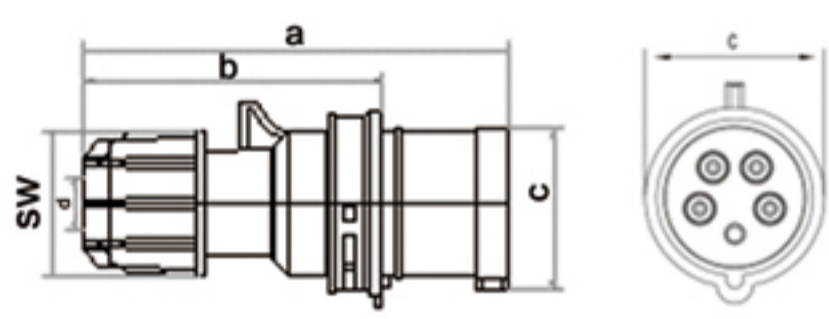
earth contact position		6h	
rated current(A)		16	32
	pole	4	
dimension(mm)	a	124	146
	b	79	93
	c	53	63
	d	6-15	10-20
	sw	38	50
cable nominal cross-section area(mm ²)		1-2.5	2.5-6

工业用插头 Industrial plug

5P16A 380V(SK0151)/5P32A 380V(SK025)




电 流 Current (A) : 16A.32A
电 压 Voltage(V): $\frac{220-330V}{240-415V}$ -3P+N+E
防护等级 Protection degree: IP44

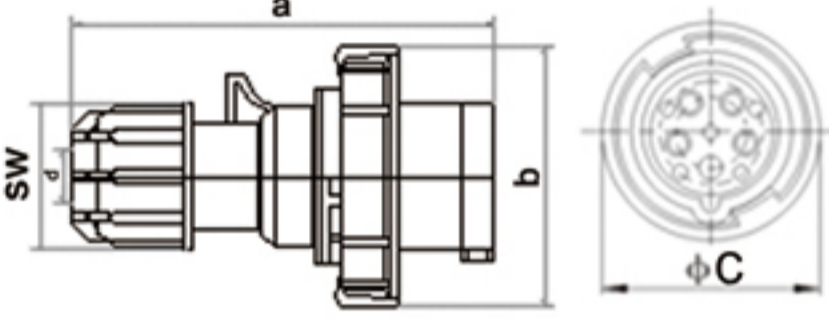


earth contact position		6h	
rated current(A)		16	32
	pole	5	
dimension(mm)	a	131	152
	b	95	106
	c	61	70
	d	8-16	10-20
	sw	42	50
cable nominal cross-section area(mm ²)		1-2.5	2.5-6

5P16A 380V(SK0152)/5P32A 380V(SK0252)




电 流 Current (A) : 16A.32A
电 压 Voltage(V): $\frac{220-330V}{240-415V}$ -3P+N+E
防护等级 Protection degree: IP67

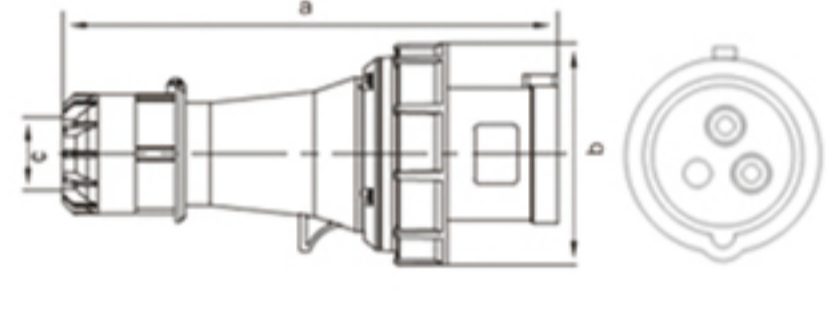


earth contact position		6h	
rated current(A)		16	32
	pole	5	
dimension(mm)	a	131	152
	b	87	100
	d	8-16	10-20
	sw	42	50
cable nominal cross-section area(mm ²)		1-2.5	2.5-6

3P63A 220V(SK0332)/3P125A 220V(SK0432)




电 流 Current (A) : 63A.125A
电 压 Voltage(V): 110-130V~2P+E
防护等级 Protection degree: IP67

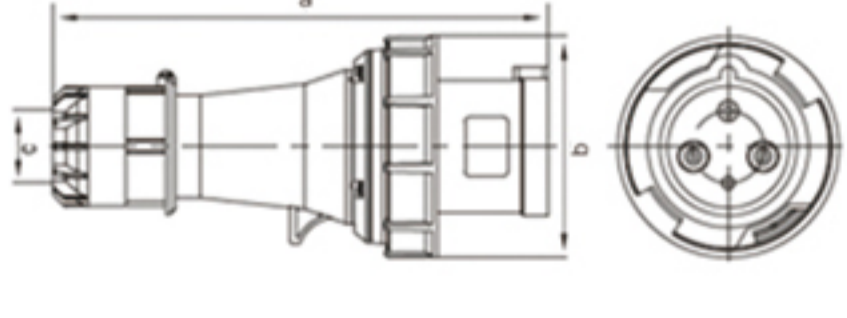


earth contact position		4h	
rated current(A)		63	125
	pole	4	
dimension(mm)	a	240	295
	b	115	126
	c	30	44.5
cable nominal cross-section area(mm ²)		6-16	16-50

3P63A 220V(SK0332)/3P125A 220V(SK0432)




电 流 Current (A) : 63A.125A
电 压 Voltage(V): 220-250V~2P+E
防护等级 Protection degree: IP67

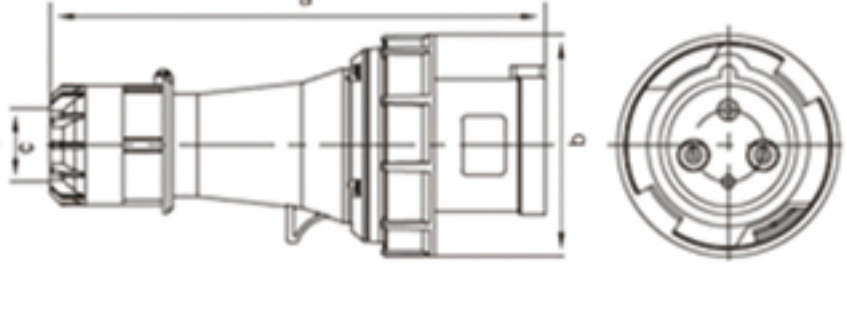


earth contact position		6h	
rated current(A)		63	125
	pole	3	
dimension(mm)	a	240	295
	b	115	126
	c	30	44.5
cable nominal cross-section area(mm ²)		6-16	16-50

4P63A 380V(SK0342)/4P125A 380V(SK0442)



电 流 Current (A) : 16A.32A
电 压 Voltage(V): $\frac{220-380V}{240-415V}$ -2P+E
防护等级 Protection degree: IP67



earth contact position		6h	
rated current(A)		63	125
	pole	3	
dimension(mm)	a	240	295
	b	115	126
	c	30	44.5
cable nominal cross-section area(mm ²)		6-16	16-50



3 2P+E
4 3P+E
5 3P+N+E



3pol 4pol 5pol
4h 4h 4h



3pol 4pol 5pol
6h 9h 9h



3pol 4pol 5pol
9h 6h 6h



3pol 4pol 5pol
7h 7h 7h



3pol 4pol 5pol
10h 10h 10h



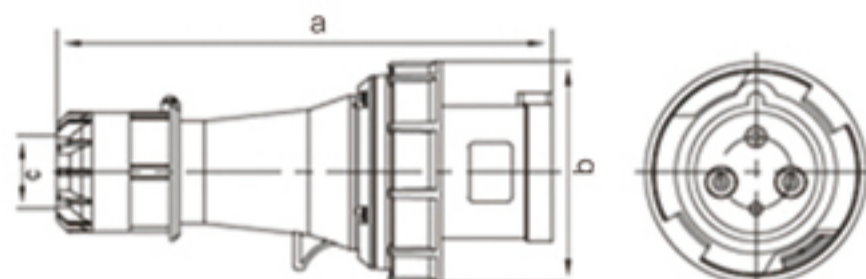
3pol 4pol 5pol
2h 2h 2h

JOSHOR[®]

5P63A 380V(SK0352)/5P125A 380V(SK0452)



电 流 Current (A) : 63A.125A
电 压 Voltage(V): 220-330V~ 3P+N+E
240-415V~
防护等级 Protection degree: IP67

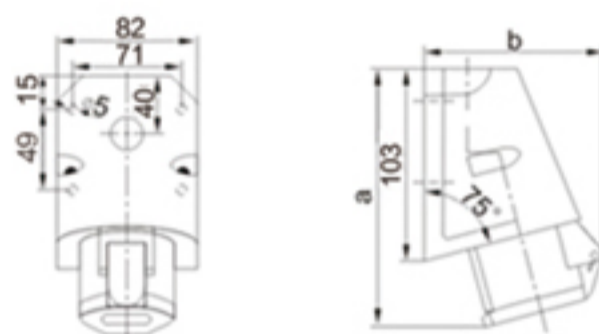


earth contact position		6h	
rated current(A)		63	125
	pole	5	
dimension(mm)	a	240	295
	b	115	126
	c	30	44.5
cable nominal cross-section area(mm ²)		6-16	16-50

3P16A 4H 110V(SKN113-4H)



电 流 Current (A) : 16A.32A
电 压 Voltage(V): 110-130V~2P+E
防护等级 Protection degree: IP44

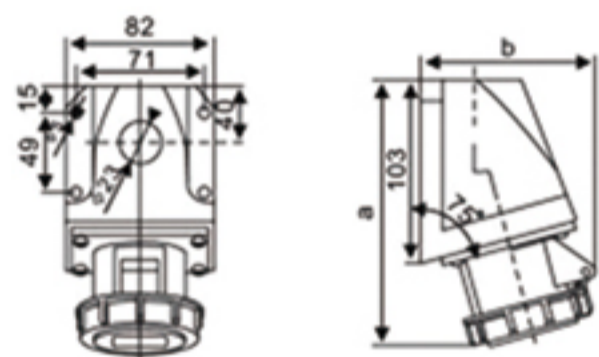


earth contact position		4h	
rated current(A)		16	32
	pole	3	
dimension(mm)	a	151	165
	b	96	107
cable nominal cross-section area(mm ²)		1-2.5	2.5-6

3P16A 4H 110V(SK1132-4H)



电 流 Current (A) : 16A.32A
电 压 Voltage(V): 110-130V~2P+E
防护等级 Protection degree: IP67

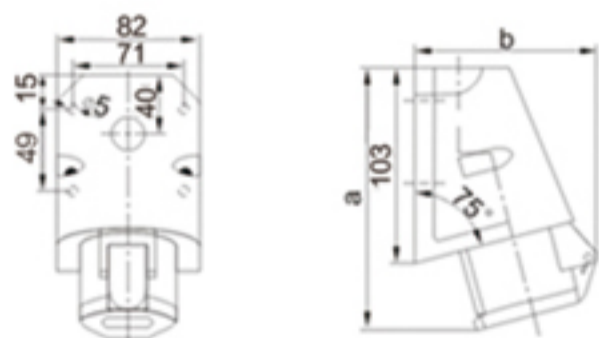


earth contact position		4h	
rated current(A)		16	32
	pole	3	
dimension(mm)	a	151	165
	b	96	107
cable nominal cross-section area(mm ²)		1-2.5	2.5-6

3P16A 220V(SKN113)/3P32A 220V(SKN123)



电 流 Current (A) : 16A.32A
电 压 Voltage(V): 220-250V~2P+E
防护等级 Protection degree: IP44

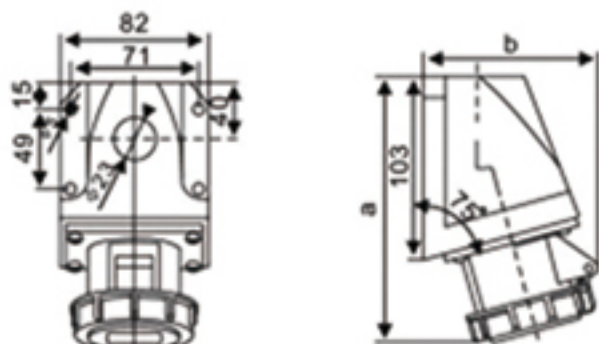


earth contact position		6h	
rated current(A)		16	32
	pole	3	
dimension(mm)	a	151	165
	b	96	107
cable nominal cross-section area(mm ²)		1-2.5	2.5-6

3P16A 220V(SK1132)/3P32A 220V(SK1232)


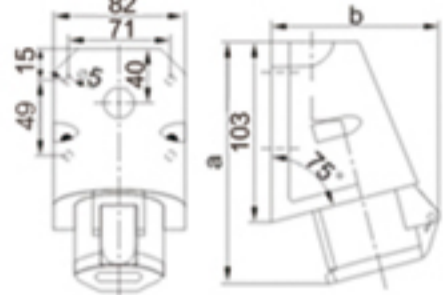

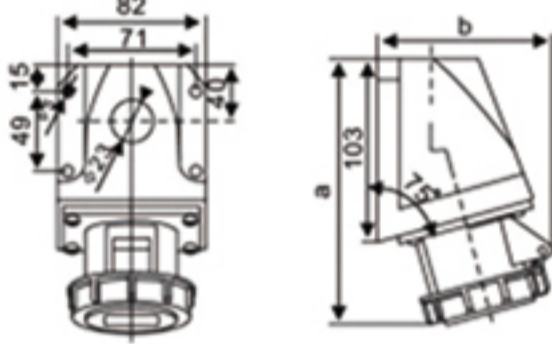

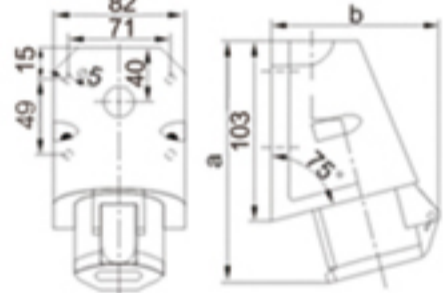

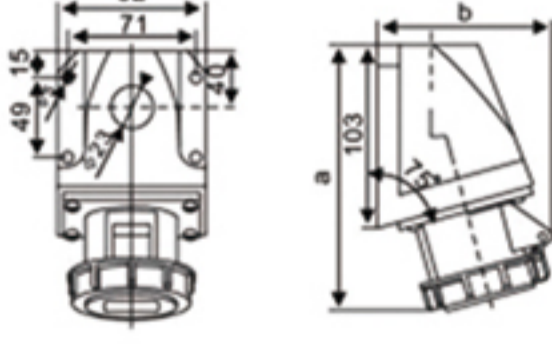

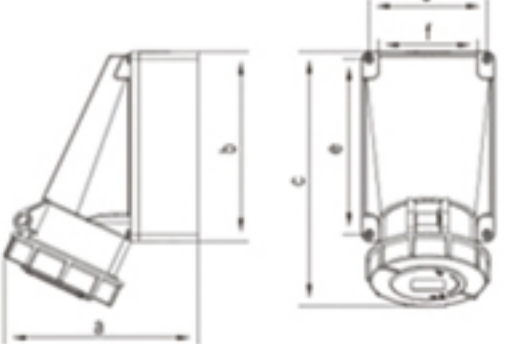


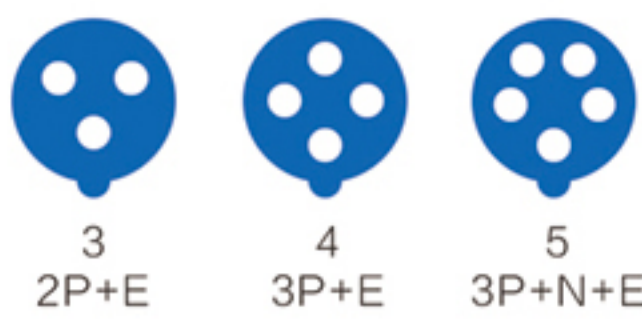
电 流 Current (A) : 16A.32A
电 压 Voltage(V): 220-250V~2P+E
防护等级 Protection degree: IP67



earth contact position		6h	
rated current(A)		16	32
	pole	3	
dimension(mm)	a	151	165
	b	96	107
cable nominal cross-section area(mm ²)		1-2.5	2.5-6


工业用插头 Industrial plug

<p>4P16A 380V(SK1114)/4P32A 380V(SK1124)</p> 	<p>电 流 Current (A) : 16A.32A 电 压 Voltage(V): 380-415V~3P+E 防护等级 Protection degree: IP44</p> 	<table border="1"> <thead> <tr> <th colspan="2">earth contact position</th> <th colspan="2">6h</th> </tr> </thead> <tbody> <tr> <td rowspan="2">rated current(A)</td> <td></td> <td>16</td> <td>32</td> </tr> <tr> <td>pole</td> <td colspan="2">4</td> </tr> <tr> <td rowspan="2">dimension(mm)</td> <td>a</td> <td>155</td> <td>165</td> </tr> <tr> <td>b</td> <td>96</td> <td>107</td> </tr> <tr> <td colspan="2">cable nominal cross-section area(mm²)</td> <td>1-2.5</td> <td>2.5-6</td> </tr> </tbody> </table>	earth contact position		6h		rated current(A)		16	32	pole	4		dimension(mm)	a	155	165	b	96	107	cable nominal cross-section area(mm²)		1-2.5	2.5-6												
earth contact position		6h																																		
rated current(A)		16	32																																	
	pole	4																																		
dimension(mm)	a	155	165																																	
	b	96	107																																	
cable nominal cross-section area(mm²)		1-2.5	2.5-6																																	
<p>4P16A 380V(SK1142)/4P32A 380V(SK1242)</p> 	<p>电 流 Current (A) : 16A.32A 电 压 Voltage(V): 380-415V~3P+E 防护等级 Protection degree: IP67</p> 	<table border="1"> <thead> <tr> <th colspan="2">earth contact position</th> <th colspan="2">6h</th> </tr> </thead> <tbody> <tr> <td rowspan="2">rated current(A)</td> <td></td> <td>16</td> <td>32</td> </tr> <tr> <td>pole</td> <td colspan="2">4</td> </tr> <tr> <td rowspan="2">dimension(mm)</td> <td>a</td> <td>155</td> <td>165</td> </tr> <tr> <td>b</td> <td>96</td> <td>107</td> </tr> <tr> <td colspan="2">cable nominal cross-section area(mm²)</td> <td>1-2.5</td> <td>2.5-6</td> </tr> </tbody> </table>	earth contact position		6h		rated current(A)		16	32	pole	4		dimension(mm)	a	155	165	b	96	107	cable nominal cross-section area(mm²)		1-2.5	2.5-6												
earth contact position		6h																																		
rated current(A)		16	32																																	
	pole	4																																		
dimension(mm)	a	155	165																																	
	b	96	107																																	
cable nominal cross-section area(mm²)		1-2.5	2.5-6																																	
<p>5P16A 380V(SK1115)/5P32A 380V(SK1125)</p> 	<p>电 流 Current (A) : 16A.32A 电 压 Voltage(V): $\frac{380-415}{380-415}$-3P+N+E 防护等级 Protection degree: IP44</p> 	<table border="1"> <thead> <tr> <th colspan="2">earth contact position</th> <th colspan="2">6h</th> </tr> </thead> <tbody> <tr> <td rowspan="2">rated current(A)</td> <td></td> <td>16</td> <td>32</td> </tr> <tr> <td>pole</td> <td colspan="2">5</td> </tr> <tr> <td rowspan="2">dimension(mm)</td> <td>a</td> <td>153</td> <td>163</td> </tr> <tr> <td>b</td> <td>103</td> <td>109</td> </tr> <tr> <td colspan="2">cable nominal cross-section area(mm²)</td> <td>1-2.5</td> <td>2.5-6</td> </tr> </tbody> </table>	earth contact position		6h		rated current(A)		16	32	pole	5		dimension(mm)	a	153	163	b	103	109	cable nominal cross-section area(mm²)		1-2.5	2.5-6												
earth contact position		6h																																		
rated current(A)		16	32																																	
	pole	5																																		
dimension(mm)	a	153	163																																	
	b	103	109																																	
cable nominal cross-section area(mm²)		1-2.5	2.5-6																																	
<p>5P16A 380V(SK1152)/5P32A 380V(SK1252)</p> 	<p>电 流 Current (A) : 16A.32A 电 压 Voltage(V): $\frac{380-415}{380-415}$-3P+N+E 防护等级 Protection degree: IP67</p> 	<table border="1"> <thead> <tr> <th colspan="2">earth contact position</th> <th colspan="2">6h</th> </tr> </thead> <tbody> <tr> <td rowspan="2">rated current(A)</td> <td></td> <td>16</td> <td>32</td> </tr> <tr> <td>pole</td> <td colspan="2">5</td> </tr> <tr> <td rowspan="2">dimension(mm)</td> <td>a</td> <td>153</td> <td>163</td> </tr> <tr> <td>b</td> <td>103</td> <td>109</td> </tr> <tr> <td colspan="2">cable nominal cross-section area(mm²)</td> <td>1-2.5</td> <td>2.5-6</td> </tr> </tbody> </table>	earth contact position		6h		rated current(A)		16	32	pole	5		dimension(mm)	a	153	163	b	103	109	cable nominal cross-section area(mm²)		1-2.5	2.5-6												
earth contact position		6h																																		
rated current(A)		16	32																																	
	pole	5																																		
dimension(mm)	a	153	163																																	
	b	103	109																																	
cable nominal cross-section area(mm²)		1-2.5	2.5-6																																	
<p>3P63A 220V(SK1332)/3P125A 220V(SK1432)</p> 	<p>电 流 Current (A) : 62A.125A 电 压 Voltage(V): 220-250V~2P+E 防护等级 Protection degree: IP67</p> 	<table border="1"> <thead> <tr> <th colspan="2">earth contact position</th> <th colspan="2">6h</th> </tr> </thead> <tbody> <tr> <td rowspan="2">rated current(A)</td> <td></td> <td>63</td> <td>125</td> </tr> <tr> <td>pole</td> <td colspan="2">5</td> </tr> <tr> <td rowspan="6">dimension(mm)</td> <td>a</td> <td>171</td> <td>220</td> </tr> <tr> <td>b</td> <td>170</td> <td>220</td> </tr> <tr> <td>c</td> <td>250</td> <td>285</td> </tr> <tr> <td>d</td> <td>118</td> <td>140</td> </tr> <tr> <td>e</td> <td>137</td> <td>185</td> </tr> <tr> <td>f</td> <td>104</td> <td>130</td> </tr> <tr> <td colspan="2">cable nominal cross-section area(mm²)</td> <td>6-16</td> <td>16-50</td> </tr> </tbody> </table>	earth contact position		6h		rated current(A)		63	125	pole	5		dimension(mm)	a	171	220	b	170	220	c	250	285	d	118	140	e	137	185	f	104	130	cable nominal cross-section area(mm²)		6-16	16-50
earth contact position		6h																																		
rated current(A)		63	125																																	
	pole	5																																		
dimension(mm)	a	171	220																																	
	b	170	220																																	
	c	250	285																																	
	d	118	140																																	
	e	137	185																																	
	f	104	130																																	
cable nominal cross-section area(mm²)		6-16	16-50																																	

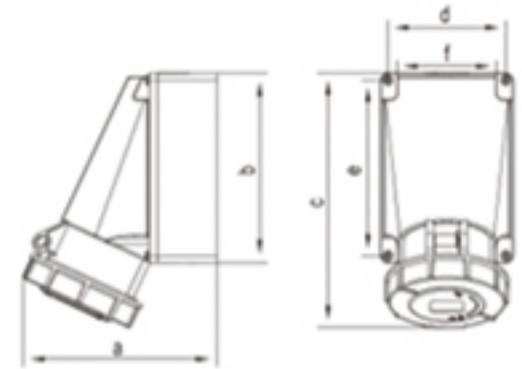


JOSHOR[®]

4P63A 380V(SK1342)/4P125A 380V(SK1442)




电 流 Current (A) : 63A.125A
电 压 Voltage(V) : 380-415V~3P+E
防护等级 Protection degree: IP67

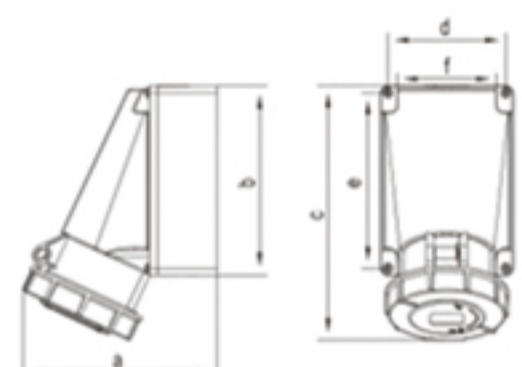


earth contact position		6h	
rated current(A)		63	125
	pole	4	
dimension(mm)	a	171	220
	b	170	220
	c	250	285
	d	118	140
	e	137	185
	f	104	130
cable nominal cross-section area(mm ²)		6-16	16-50

5P63A 380V(SK1352)/5P125A 380V(SK1452)




电 流 Current (A) : 63A.125A
电 压 Voltage(V) : 220-380V~240-415V~3P+N+E
防护等级 Protection degree: IP67

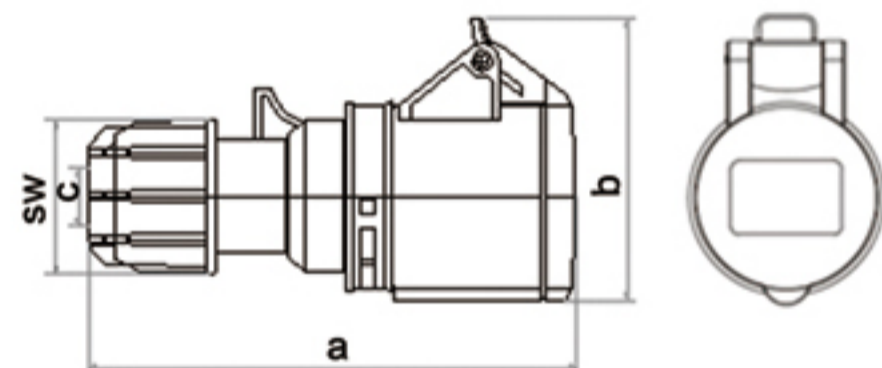


earth contact position		6h	
rated current(A)		63	125
	pole	4	
dimension(mm)	a	171	220
	b	170	220
	c	250	285
	d	118	140
	e	137	185
	f	104	130
cable nominal cross-section area(mm ²)		6-16	16-50

3P16A 4H 110V(SKN213-4H)




电 流 Current (A) : 16A.32A
电 压 Voltage(V) : 110-130V~2P+E
防护等级 Protection degree: IP44

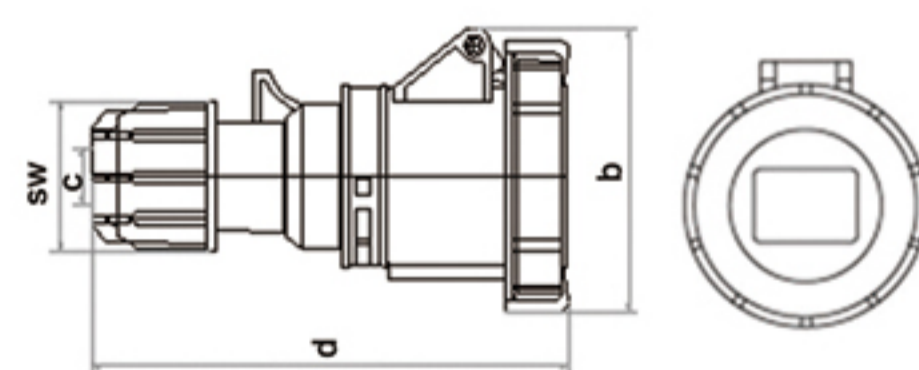


earth contact position		4h	
rated current(A)		16	32
	pole	3	
dimension(mm)	a	129	159
	b	76	92
	c	6-15	10-20
	sw	38	50
	cable nominal cross-section area(mm ²)		1-2.5

3P16A 4H 110V(SK2132-4H)




电 流 Current (A) : 16A.32A
电 压 Voltage(V) : 110-130V~2P+E
防护等级 Protection degree: IP67

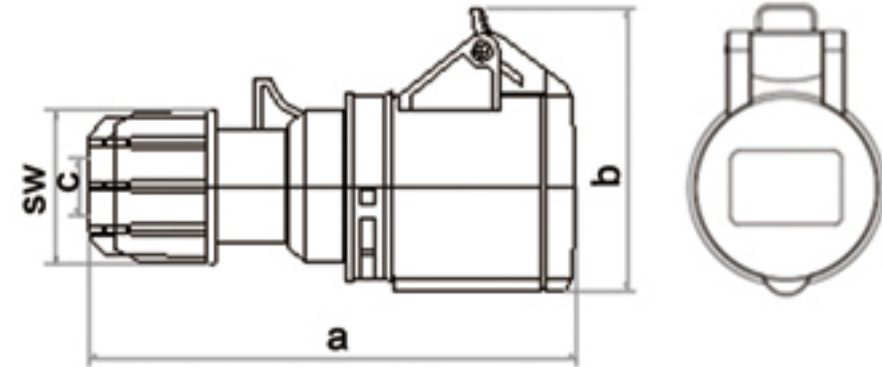


earth contact position		4h	
rated current(A)		16	32
	pole	3	
dimension(mm)	a	133	162
	b	78	96
	c	6-15	10-20
	sw	38	50
	cable nominal cross-section area(mm ²)		1-2.5

3P16A 220V(SKN213)/3P32A 220V(SKN223)




电 流 Current (A) : 16A.32A
电 压 Voltage(V) : 220-250V~2P+E
防护等级 Protection degree: IP44



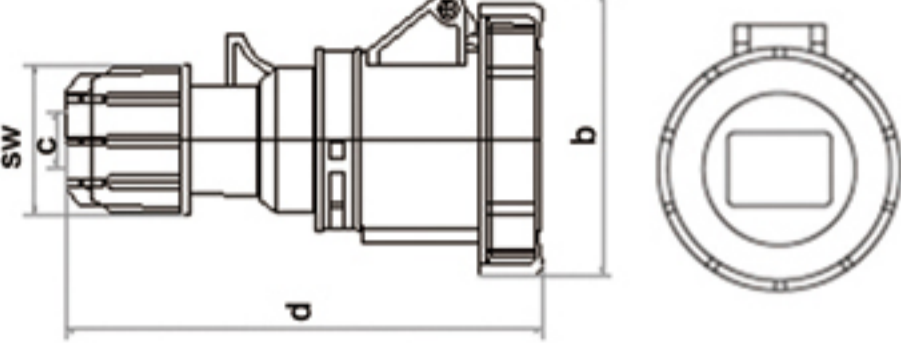
earth contact position		6h	
rated current(A)		16	32
	pole	3	
dimension(mm)	a	129	159
	b	76	92
	c	6-15	10-20
	sw	38	50
	cable nominal cross-section area(mm ²)		1-2.5

工业用插头 Industrial plug

3P16A 220V(SK2132)/3P32A 220V(SK2232)




电 流 Current (A) : 16A.32A
电 压 Voltage(V): 220-250V~2P+E
防护等级 Protection degree: IP67

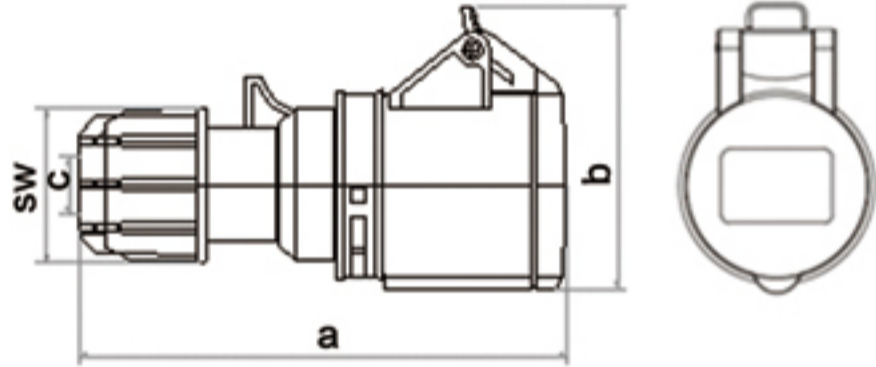


earth contact position		6h	
rated current(A)		16	32
pole		3	
dimension(mm)	a	133	162
	b	78	96
	c	6-15	10-20
	sw	38	50
cable nominal cross-section area(mm ²)		1-2.5	2.5-6

4P16A 380V(SKN214)/4P32A 380V(SKN224)




电 流 Current (A) : 16A.32A
电 压 Voltage(V): 380-415V~3P+E
防护等级 Protection degree: IP44

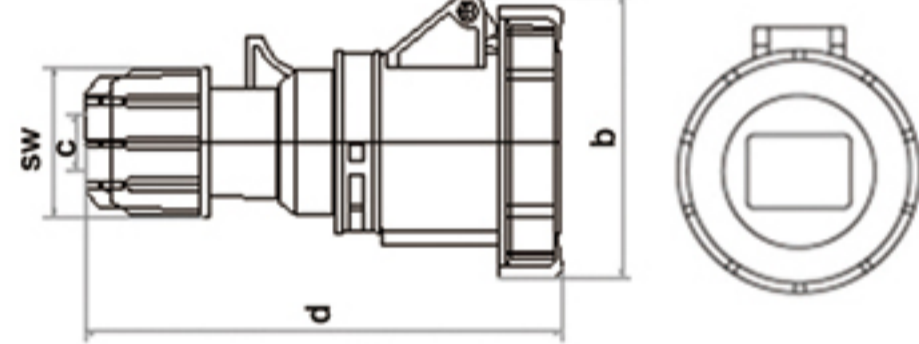


earth contact position		6h	
rated current(A)		16	32
pole		4	
dimension(mm)	a	135	159
	b	80	92
	c	6-16	10-20
	sw	38	50
cable nominal cross-section area(mm ²)		1-2.5	2.5-6

4P16A 380V(SK2142)/4P32A 380V(SK2242)




电 流 Current (A) : 16A.32A
电 压 Voltage(V): 380-415V~3P+E
防护等级 Protection degree: IP67

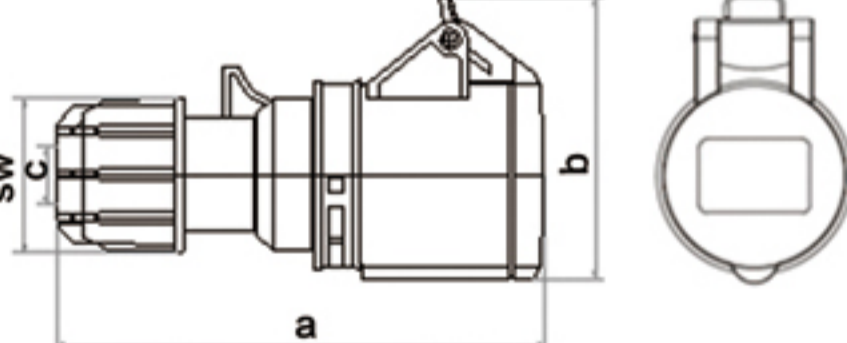


earth contact position		6h	
rated current(A)		16	32
pole		4	
dimension(mm)	a	135	159
	b	80	92
	c	6-15	10-20
	sw	38	50
cable nominal cross-section area(mm ²)		1-2.5	2.5-6

5P16A 380V(SKN215)/5P32A 380V(SKN225)




电 流 Current (A) : 16A.32A
电 压 Voltage(V): $\frac{220-380V}{240-415V}$ 3P+N+E
防护等级 Protection degree: IP44

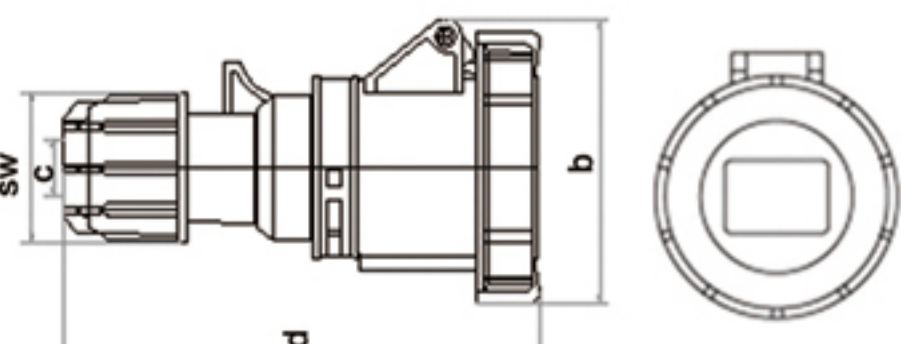


earth contact position		6h	
rated current(A)		16	32
pole		5	
dimension(mm)	a	145	163
	b	92	102
	c	8-16	12-22
	sw	42	50
cable nominal cross-section area(mm ²)		1-2.5	2.5-6

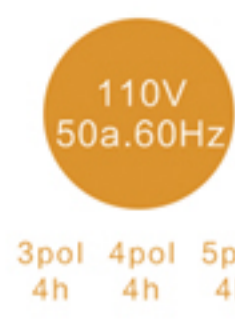
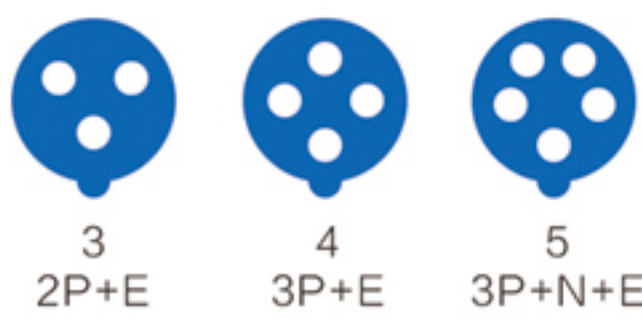
5P16A 380V(SK2152)/5P32A 380V(SK2252)




电 流 Current (A) : 16A.32A
电 压 Voltage(V): $\frac{220-380V}{240-415V}$ 3P+N+E
防护等级 Protection degree: IP67



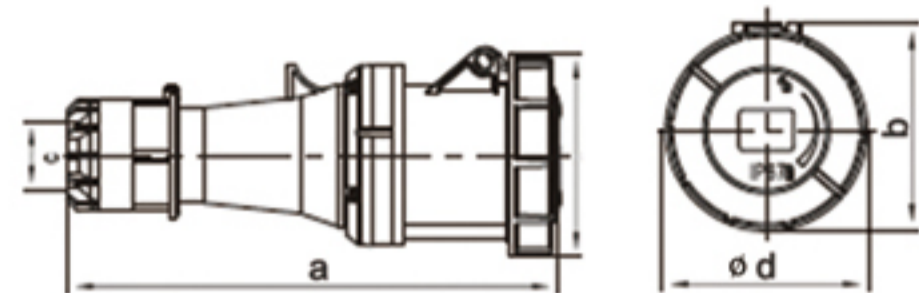
earth contact position		6h	
rated current(A)		16	32
pole		5	
dimension(mm)	a	145	168
	b	92	102
	c	8-16	12-22
	sw	42	50
cable nominal cross-section area(mm ²)		1-2.5	2.5-6




JOSHOR[®]



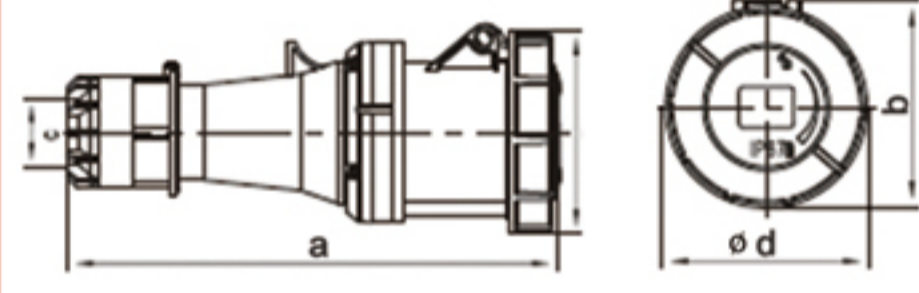
电 流 Current (A) : 63A.125A
电 压 Voltage(V): 110-130V~2P+E
防护等级 Protection degree: IP67




earth contact position		4h	
rated current(A)		63	125
	pole	4	
dimension(mm)	a	261	305
	b	114	115
	c	30	44.5
	d	112	130
cable nominal cross-section area(mm ²)		6-16	16-50




3P63A 220V(SK2332)/3P125A 220V(SK2432)
电 流 Current (A) : 63A.125A
电 压 Voltage(V): 220-250V~2P+E
防护等级 Protection degree: IP67




earth contact position		6h	
rated current(A)		63	125
	pole	3	
dimension(mm)	a	261	305
	b	114	115
	c	30	44.5
	d	112	130
cable nominal cross-section area(mm ²)		6-16	16-50



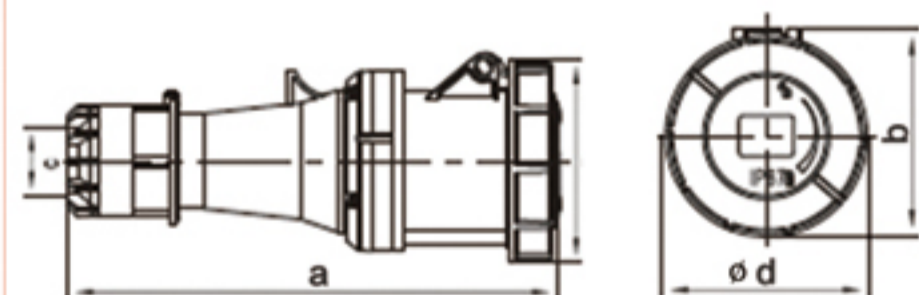
4P63A 380V(SK2342)/4P125A 380V(SK2442)
电 流 Current (A) : 63A.125A
电 压 Voltage(V): 380-415V~2P+E
防护等级 Protection degree: IP67




earth contact position		6h	
rated current(A)		63	125
	pole	4	
dimension(mm)	a	261	305
	b	114	115
	c	30	44.5
	d	112	130
cable nominal cross-section area(mm ²)		6-16	16-50



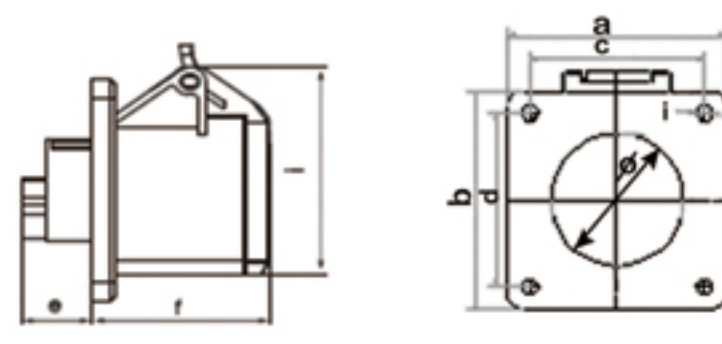
5P63A 380V(SK2352)/5P125A 380V(SK2452)
电 流 Current (A) : 63A.125A
电 压 Voltage(V): $\frac{220-380V}{240-415V}$ ~3P+N+E
防护等级 Protection degree: IP67



earth contact position		6h	
rated current(A)		63	125
	pole	5	
dimension(mm)	a	261	305
	b	114	115
	c	30	44.5
	d	112	130
cable nominal cross-section area(mm ²)		6-16	16-50



3P16A 4H 110V(SKN313-4H)
电 流 Current (A) : 16A.32A
电 压 Voltage(V): 110-130V~2P+E
防护等级 Protection degree: IP44

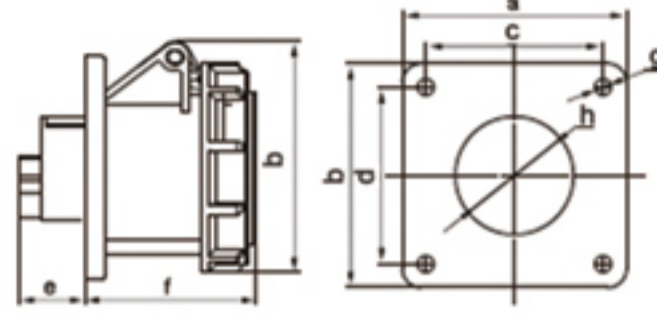


earth contact position		4h	
rated current(A)		16	32
	pole	3	
dimension(mm)	a	75	75
	b	75	75
	c	61	61
	d	61	61
	e	18	24
	f	63	70
	ø	36	47
	i	5	5
	cable nominal cross-section area(mm ²)		1-2.5

3P16A 4H 110V(SK3132-4H)



电 流 Current (A) : 16A.32A
电 压 Voltage(V): 110-130V~2P+E
防护等级 Protection degree: IP67

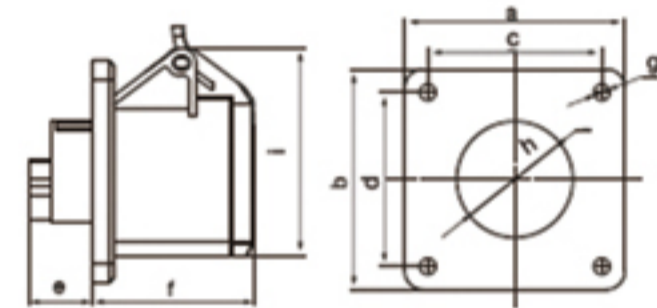


earth contact position	4h		
rated current(A)	16	32	
	pole	3	
dimension(mm)	axb	76	76
	cx-d	61	61
	e	16	20
	f	61	74
	g	5.5	5.5
	h	46	60
	i	80	98
cable nominal cross-section area(mm ²)	1-2.5	2.5-6	

3P16A 220V(SK3133)/3P32A 220V(SK323)



电 流 Current (A) : 16A.32A
电 压 Voltage(V): 220-240V~2P+E
防护等级 Protection degree: IP44

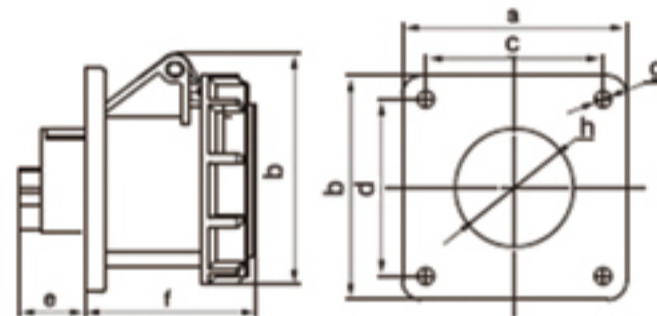


earth contact position	6h		
rated current(A)	16	32	
	pole	3	
dimension(mm)	axb	76	76
	cx-d	61	61
	e	16	20
	f	60	70
	g	5.5	5.5
	h	46	61
	i	85	95
cable nominal cross-section area(mm ²)	1-2.5	2.5-6	

3P16A 220V(SK3132)/3P32A 220V(SK3232)



电 流 Current (A) : 16A.32A
电 压 Voltage(V): 220-240V~2P+E
防护等级 Protection degree: IP67

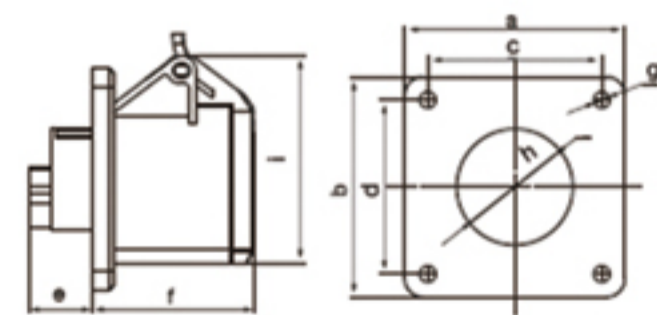


earth contact position	6h		
rated current(A)	16	32	
	pole	3	
dimension(mm)	axb	76	76
	cx-d	61	61
	e	16	20
	f	61	74
	g	5.5	5.5
	h	46	60
	i	80	98
cable nominal cross-section area(mm ²)	1-2.5	2.5-6	

4P16A 380V(SK314)/4P32A 380V(SK324)



电 流 Current (A) : 16A.32A
电 压 Voltage(V): 380-415V~3P+E
防护等级 Protection degree: IP44

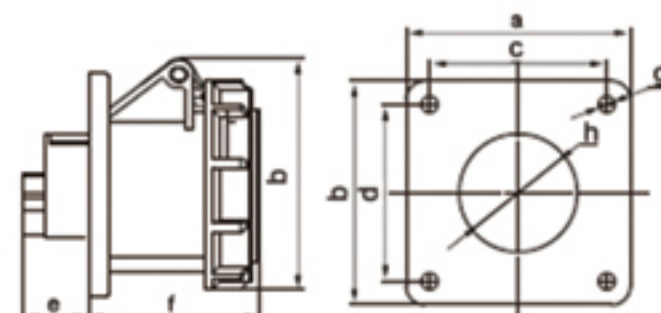


earth contact position	6h		
rated current(A)	16	32	
	pole	4	
dimension(mm)	axb	76	76
	cx-d	61	61
	e	16	20
	f	60	70
	g	5.5	5.5
	h	53	61
	i	85	95
cable nominal cross-section area(mm ²)	1-2.5	2.5-6	

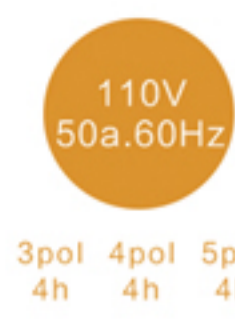
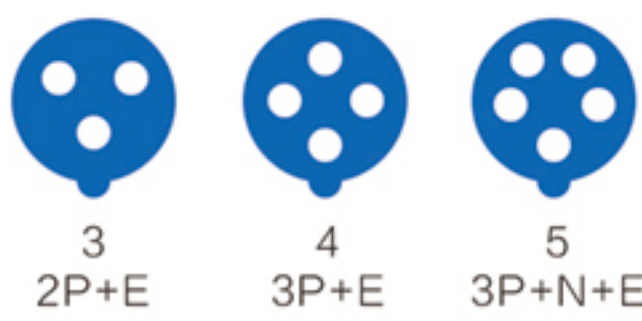
4P16A 380V(SK3142)/4P32A 380V(SK3242)



电 流 Current (A) : 16A.32A
电 压 Voltage(V): 380-415V~3P+E
防护等级 Protection degree: IP67




earth contact position	6h		
rated current(A)	16	32	
	pole	4	
dimension(mm)	axb	76	76
	cx-d	61	61
	e	17	20
	f	61	70
	g	5.5	5.5
	h	53	61
	i	84	95
cable nominal cross-section area(mm ²)	1-2.5	2.5-6	



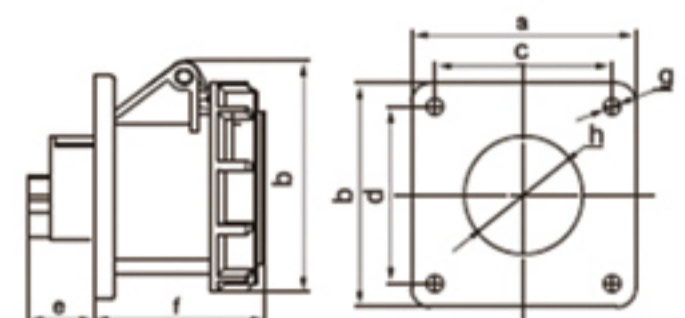
JOSHOR[®]

工业用插头 Industrial plug

5P16A 380V(SKN315)/5P32A 380V(SKN325)




电 流 Current (A) : 16A.32A
电 压 Voltage(V): $\frac{220-380V}{240-415V}$ -3P+N+E
防护等级 Protection degree: IP44

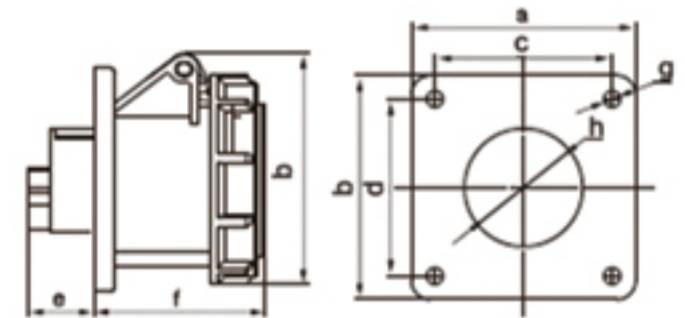


earth contact position		6h	
rated current(A)		16	32
	pole	5	
dimension(mm)	axb	76	76
	cx d	61	61
	e	18	20
	f	58	74
	g	5.5	5.5
	h	60	60
	i	91	98
cable nominal cross-section area(mm ²)		1-2.5	2.5-6

5P16A 380V(SK3152)/5P32A 380V(SK3252)




电 流 Current (A) : 16A.32A
电 压 Voltage(V): $\frac{220-380V}{240-415V}$ -3P+N+E
防护等级 Protection degree: IP67

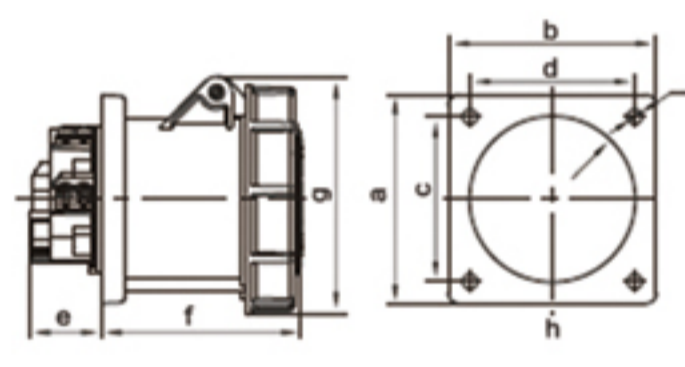


earth contact position		6h	
rated current(A)		16	32
	pole	5	
dimension(mm)	axb	76	76
	cx d	61	61
	e	17	22
	f	62	73
	g	5.5	5.5
	h	60	60
	i	91	102
cable nominal cross-section area(mm ²)		1-2.5	2.5-6

3P63A 220V(SK3332)/3P125A 220V(SK3432)




电 流 Current (A) : 63A.125A
电 压 Voltage(V): 220-250V-2P+E
防护等级 Protection degree: IP67

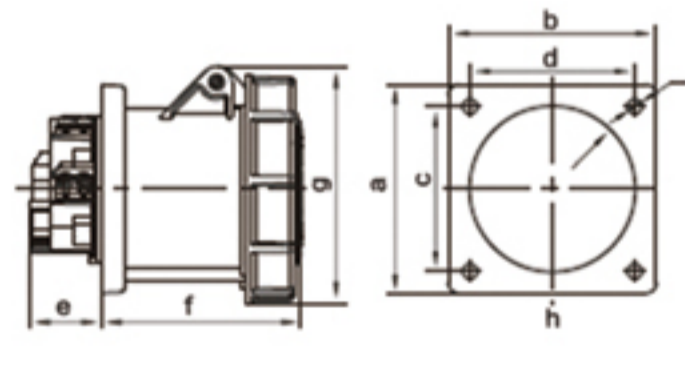


earth contact position		6h	
rated current(A)		63	125
	pole	3	
dimension(mm)	a	100	120
	b	100	120
	c	80	100
	d	80	100
	e	39	45
	f	94.5	104
	g	114	127
	h	80	90
cable nominal cross-section area(mm ²)		6-16	16-50

4P63A 380V(SK3342)/4P125A 380V(SK3442)




电 流 Current (A) : 63A.125A
电 压 Voltage(V): 380-415V-3P+N+E
防护等级 Protection degree: IP67

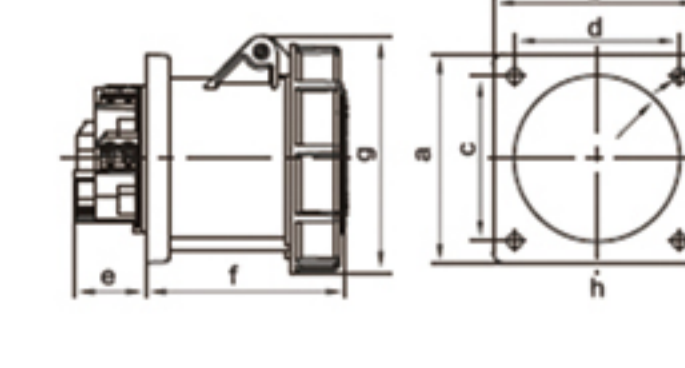


earth contact position		6h	
rated current(A)		63	125
	pole	5	
dimension(mm)	a	100	120
	b	100	120
	c	80	100
	d	80	100
	e	39	45
	f	94.5	104
	g	114	127
	h	80	90
cable nominal cross-section area(mm ²)		6-16	16-50

5P63A 380V(SK3352)/5P125A 380V(SK3452)



电 流 Current (A) : 16A.32A
电 压 Voltage(V): $\frac{220-380V}{240-415V}$ -3P+N+E
防护等级 Protection degree: IP67

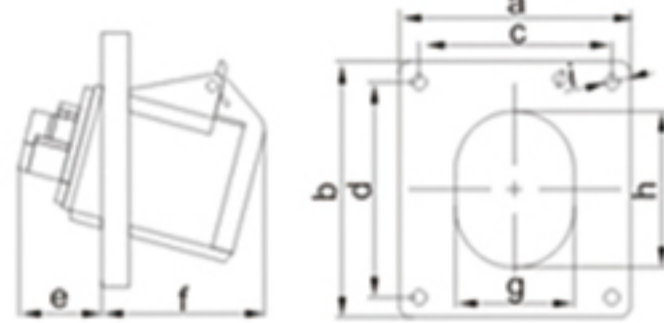


earth contact position		6h	
rated current(A)		63	125
	pole	5	
dimension(mm)	a	100	120
	b	100	120
	c	80	100
	d	80	100
	e	39	45
	f	94.5	104
	g	114	127
	h	80	90
cable nominal cross-section area(mm ²)		6-16	16-50

3P16A 220V(SKN413)/3P32A 220V(SKN423)



电 流 Current (A) : 16A.32A
电 压 Voltage(V): 220-240V~2P+E
防护等级 Protection degree: IP44

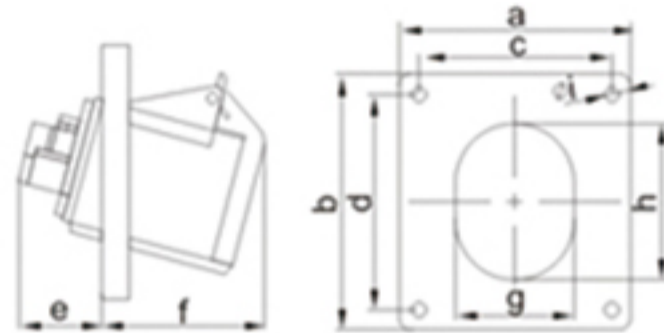


earth contact position		6h	
rated current(A)		16	32
	pole	3	
dimension(mm)	a	85	85
	b	85	85
	c	70	70
	d	70	70
	e	12	23
	f	60	60
	g	51	64
	h	56	76
	i	5.5	5.5
cable nominal cross-section area(mm ²)		1-2.5	2.5-6

3P16A 220V(SK4132)/3P32A 220V(SK4232)



电 流 Current (A) : 16A.32A
电 压 Voltage(V): 380-415V~3P+E
防护等级 Protection degree: IP44

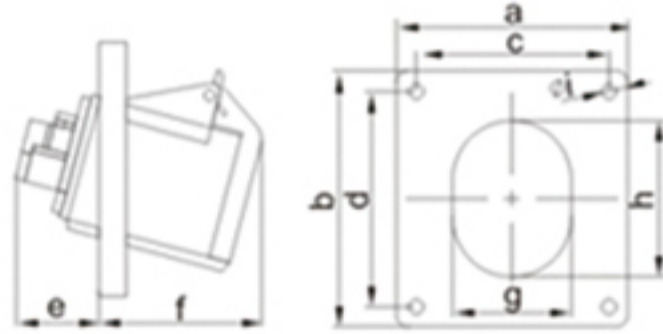


earth contact position		6h	
rated current(A)		16	32
	pole	3	
dimension(mm)	a	85	85
	b	85	85
	c	70	70
	d	70	70
	e	12	23
	f	60	60
	g	51	64
	h	56	76
	i	5.5	5.5
cable nominal cross-section area(mm ²)		1-2.5	2.5-6

4P16A 380V(SKN414)/4P32A 380V(SKN424)



电 流 Current (A) : 16A.32A
电 压 Voltage(V): 380-415V~3P+E
防护等级 Protection degree: IP44

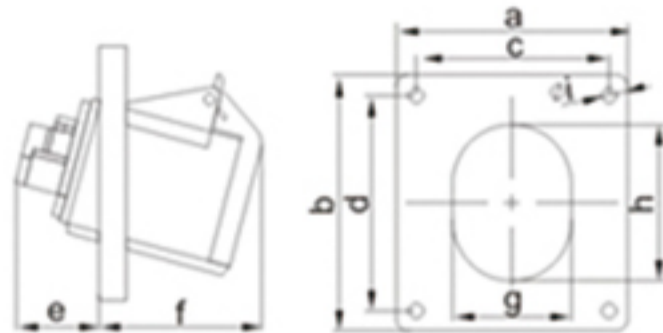


earth contact position		6h	
rated current(A)		16	32
	pole	4	
dimension(mm)	a	85	85
	b	85	85
	c	70	70
	d	70	70
	e	12	23
	f	60	60
	g	56	64
	h	56	76
	i	5.5	5.5
cable nominal cross-section area(mm ²)		1-2.5	2.5-6

4P16A 380V(SK4142)/4P32A 380V(SK4242)



电 流 Current (A) : 16A.32A
电 压 Voltage(V): 380-415V~3P+N+E
防护等级 Protection degree: IP67

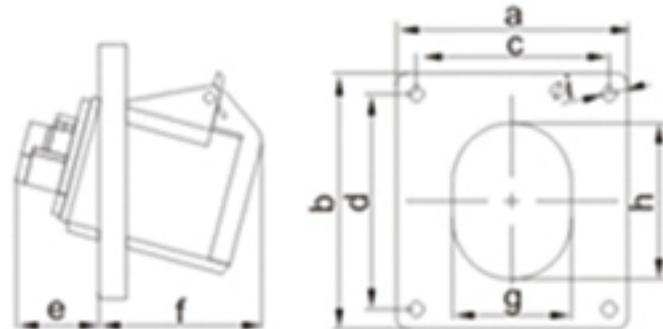


earth contact position		6h	
rated current(A)		16	32
	pole	4	
dimension(mm)	a	85	85
	b	85	85
	c	70	70
	d	70	70
	e	12	23
	f	60	60
	g	56	64
	h	56	76
	i	5.5	5.5
cable nominal cross-section area(mm ²)		1-2.5	2.5-6

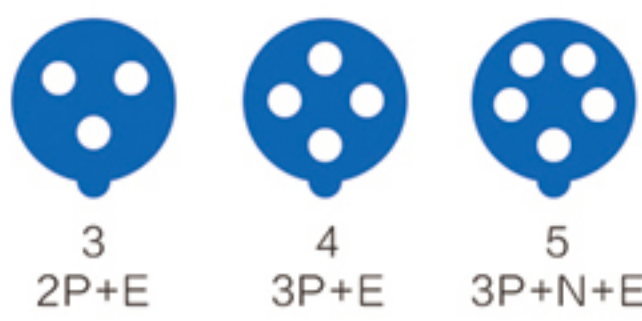
5P16A 380V(SKN415)/5P32A 380V(SKN425)



电 流 Current (A) : 16A.32A
电 压 Voltage(V): 220-380V~
240-415V~ 3P+N+E
防护等级 Protection degree: IP44



earth contact position		6h	
rated current(A)		16	32
	pole	5	
dimension(mm)	a	85	85
	b	85	85
	c	70	70
	d	70	70
	e	12	23
	f	52	60
	g	64	70
	h	68	80
	i	5.5	5.5
cable nominal cross-section area(mm ²)		1-2.5	2.5-6



110V
50a.60Hz
3pol 4pol 5pol
4h 4h 4h

230V
50a.60Hz
3pol 4pol 5pol
6h 9h 9h

400V
50a.60Hz
3pol 4pol 5pol
9h 6h 6h

500V
50a.60Hz
3pol 4pol 5pol
7h 7h 7h

>50-
500V
100-
300Hz
3pol 4pol 5pol
10h 10h 10h

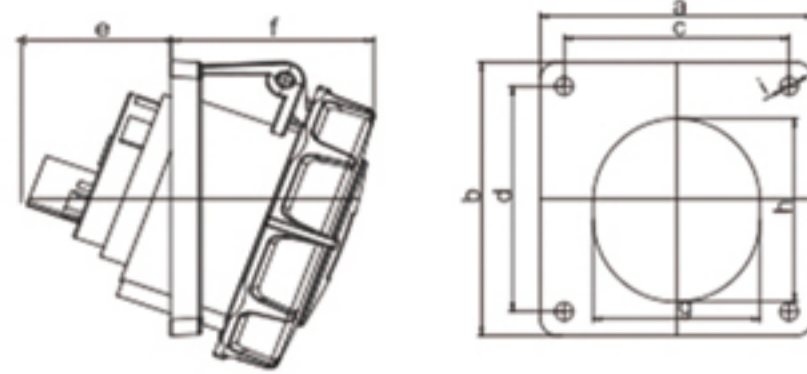
>50-
500V
300-
300Hz
3pol 4pol 5pol
2h 2h 2h

JOSHOR[®]

5P16A 380V(SK4152)/5P32A 380V(SK4252)



电 流 Current (A) : 63A.125A
电 压 Voltage(V) : $\frac{220-380V}{240-415V}$ 3P+N+E
防护等级 Protection degree: IP67

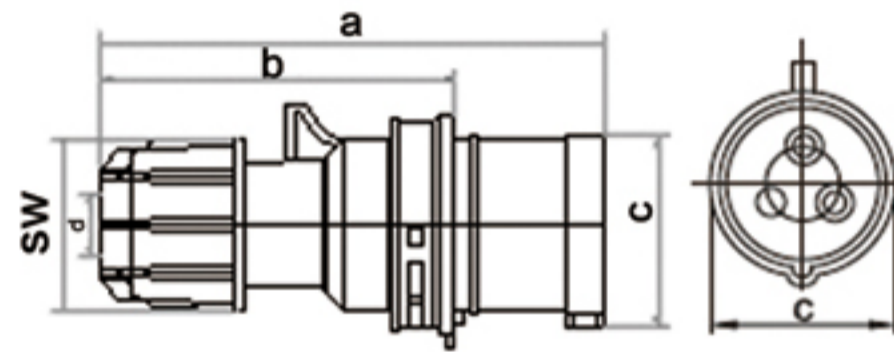


earth contact position		6h	
rated current(A)		63	125
pole		5	
dimension(mm)	a	85	85
	b	85	85
	c	70	70
	d	70	70
	e	33	44
	f	52	62
	g	64	70
	h	68	80
	i	5.5	5.5
cable nominal cross-section area(mm ²)		1-2.5	2.5-6

3P16A 110V(SKN013-4)/3P32A 110V(SKN023-4)



电 流 Current (A) : 16A.32A
电 压 Voltage(V) : 110-130V-2P+E
防护等级 Protection degree: IP44

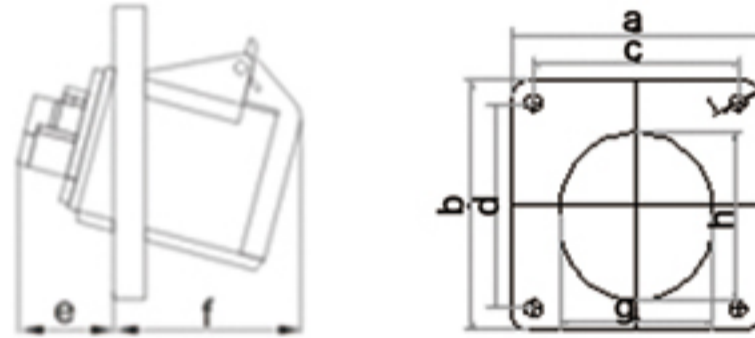


earth contact position		4h	
rated current(A)		16	32
pole		3	
dimension(mm)	a	118	146
	b	82	100
	c	47	63
	d	6-15	10-20
	sw	38	50
	cable nominal cross-section area(mm ²)		1-2.5

3P16A 4H 110V(SKN413-4H)



电 流 Current (A) : 16A.32A
电 压 Voltage(V) : 110-130V-2P+E
防护等级 Protection degree: IP44

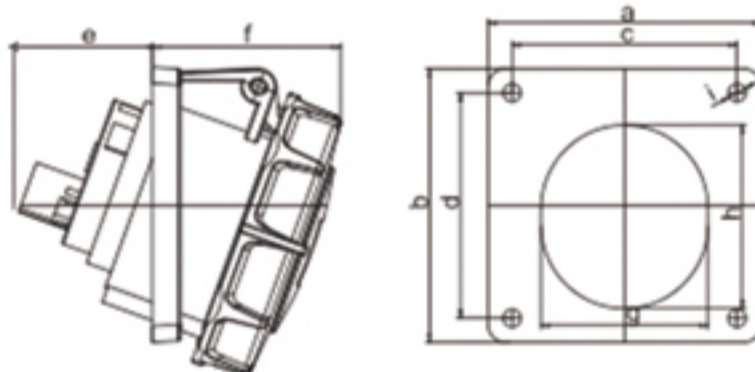


earth contact position		4h	
rated current(A)		16	32
pole		3	
dimension(mm)	a	85	85
	b	85	85
	c	70	70
	d	70	70
	e	33	44
	f	60	60
	g	51	64
	h	56	76
	i	5.5	5.5
cable nominal cross-section area(mm ²)		1-2.5	2.5-6

3P16A 4H 110V(SK4132-4H)



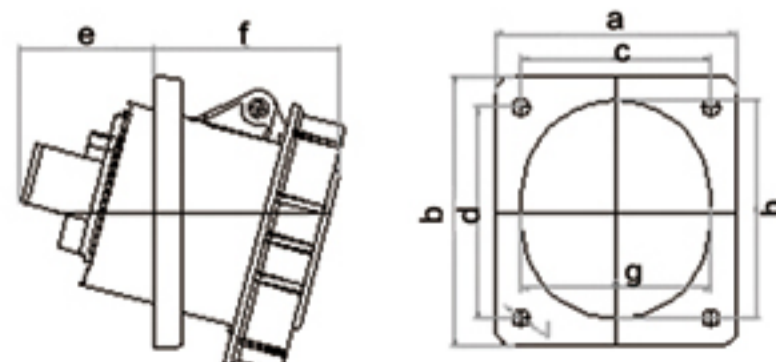
电 流 Current (A) : 16A.32A
电 压 Voltage(V) : 110-130V-3P+E
防护等级 Protection degree: IP67



earth contact position		4h	
rated current(A)		16	32
pole		3	
dimension(mm)	a	85	85
	b	85	85
	c	70	70
	d	70	70
	e	33	44
	f	60	60
	g	51	64
	h	56	76
	i	5.5	5.5
cable nominal cross-section area(mm ²)		1-2.5	2.5-6




电 流 Current (A) : 63A.125A
电 压 Voltage(V) : 110-130V-2P+E
防护等级 Protection degree: IP67



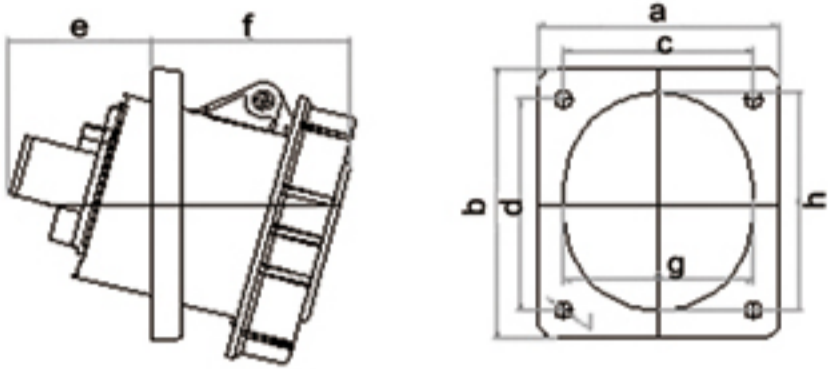
earth contact position		4h	
rated current(A)		63	125
pole		3	3
dimension(mm)	a	101	120
	b	113	131
	c	80	100
	d	89	108
	e	64	87
	f	83	82
	g	79	92
	h	92	104
	i	7	7.5
cable nominal cross-section area(mm ²)		6-25	16-50

工业用插头 Industrial plug

3P63A 220V(SK4332)/3P125A 220V(SK4432)




电 流 Current (A) : 63A.125A
电 压 Voltage(V): 220-250V~2P+E
防护等级 Protection degree: IP67

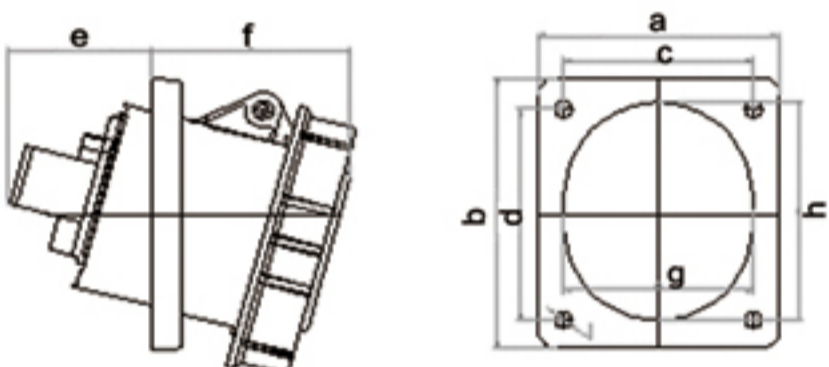


earth contact position		6h	
rated current(A)		63	125
	pole	3	3
dimension(mm)	a	101	120
	b	113	131
	c	80	100
	d	89	108
	e	64	87
	f	83	82
	h	79	92
	g	92	104
	i	7	7.5
cable nominal cross-section area(mm ²)		6-25	16-50

4P63A 380V(SK4342)/4P125A 380V(SK4442)




电 流 Current (A) : 63A.125A
电 压 Voltage(V): 380-415V~3P+E
防护等级 Protection degree: IP67

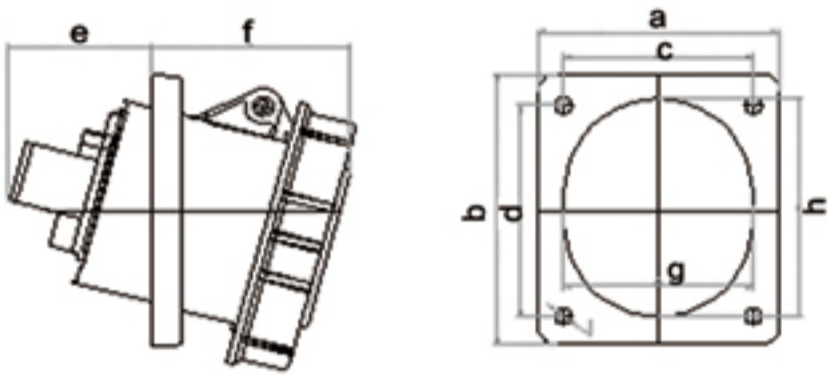


earth contact position		6h	
rated current(A)		63	125
	pole	4	4
dimension(mm)	a	101	120
	b	113	131
	c	80	100
	d	89	108
	e	64	87
	f	83	82
	h	79	92
	g	92	104
	i	7	7.5
cable nominal cross-section area(mm ²)		6-25	16-50

5P63A 380V(SK4352)/5P125A 380V(SK4452)




电 流 Current (A) : 63A.125A
电 压 Voltage(V): $\frac{220-330V}{240-415V}$ ~3P+N+E
防护等级 Protection degree: IP67

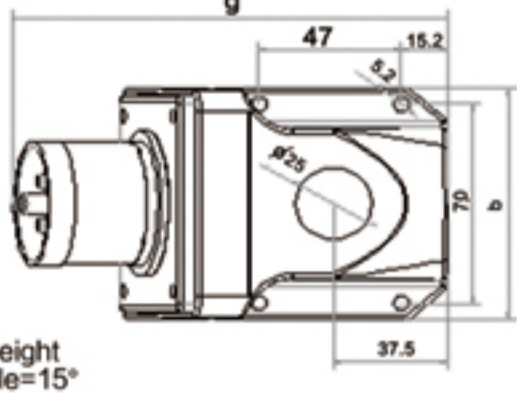


earth contact position		6h	
rated current(A)		63	125
	pole	5	5
dimension(mm)	a	101	120
	b	113	131
	c	80	100
	d	89	108
	e	64	87
	f	83	82
	h	79	92
	g	92	104
	i	7	7.5
cable nominal cross-section area(mm ²)		6-25	16-50

3P16A 220V(SKN513)/3P32A 220V(SKN523)




电 流 Current (A) : 16A.32A
电 压 Voltage(V): 220-250V~2P+E
防护等级 Protection degree: IP44



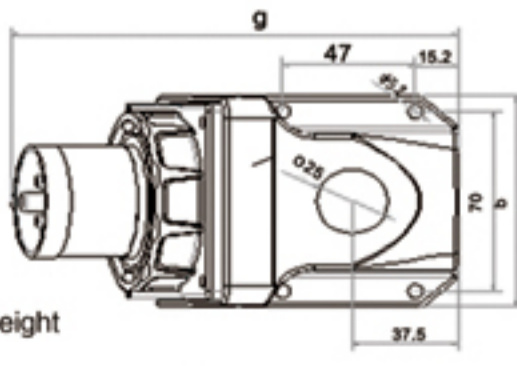
b=height
angle=15°

earth contact position		6h	
rated current(A)		16	32
	pole	3	
dimension(mm)	a	121	131
	b	76	83
cable nominal cross-section area(mm ²)		1-2.5	2.5-6

3P16A 220V(SK5132)/3P32A 220V(SK5232)

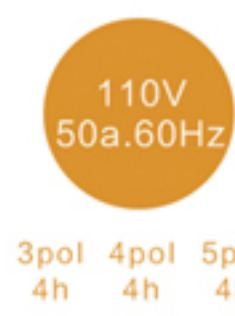
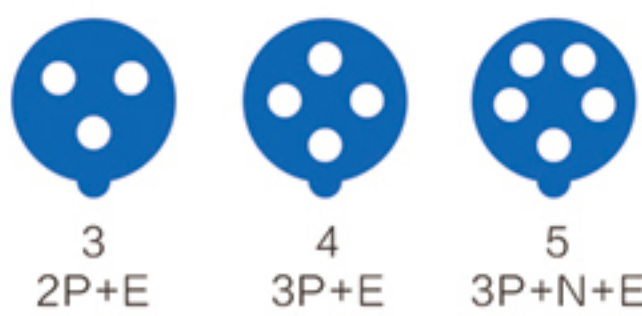


电 流 Current (A) : 16A.32A
电 压 Voltage(V): 220-250V~2P+E
防护等级 Protection degree: IP67



b=height

earth contact position		6h	
rated current(A)		16	32
	pole	3	
dimension(mm)	a	121	131
	b	76	83
cable nominal cross-section area(mm ²)		1-2.5	2.5-6

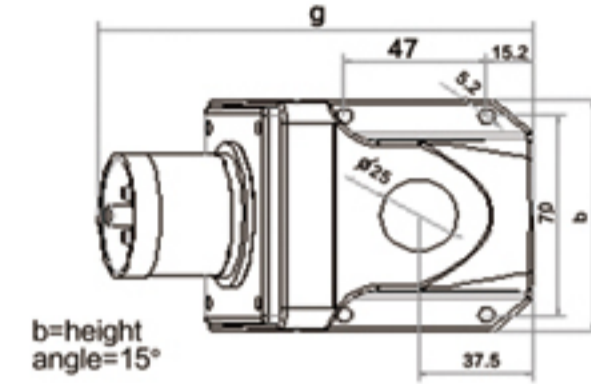


JOSHOR[®]

4P16A 380V(SKN514)/4P32A 380V(SKN524)



电 流 Current (A) : 16A.32A
电 压 Voltage(V) : 380-415V-3P+E
防护等级 Protection degree: IP44

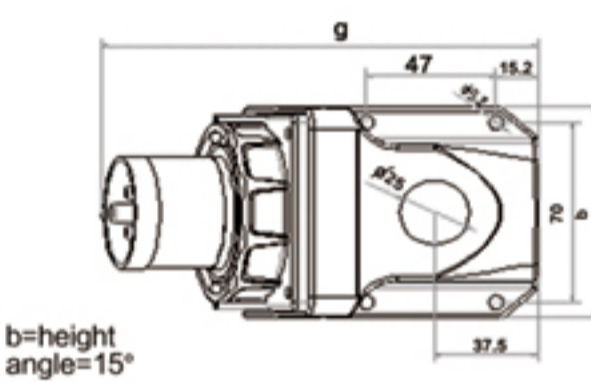


earth contact position		6h	
rated current(A)		16	32
	pole	4	
dimension(mm)	a	121	131
	b	76	83
cable nominal cross-section area(mm ²)		1-2.5	2.5-6

4P16A 380V(SK5142)/4P32A 380V(SK5242)



电 流 Current (A) : 16A.32A
电 压 Voltage(V) : 380-415V-3P+E
防护等级 Protection degree: IP67

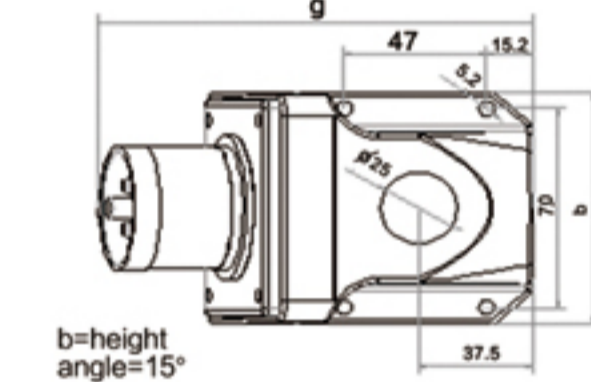


earth contact position		6h	
rated current(A)		16	32
	pole	4	
dimension(mm)	a	121	131
	b	76	83
cable nominal cross-section area(mm ²)		1-2.5	2.5-6

5P16A 380V(SKN515)/5P32A 380V(SKN525)



电 流 Current (A) : 16A.32A
电 压 Voltage(V) : 220-380V-3P+N+E
240-415V-3P+N+E
防护等级 Protection degree: IP44

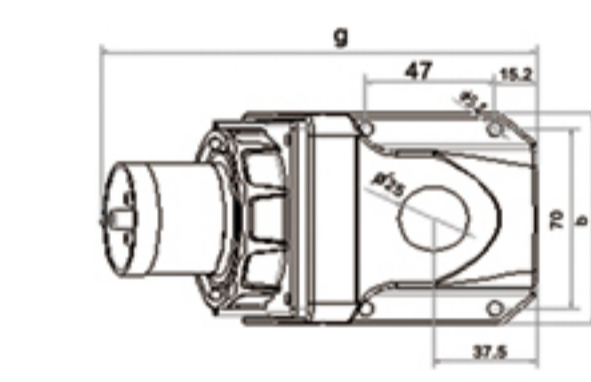


earth contact position		6h	
rated current(A)		16	32
	pole	5	
dimension(mm)	a	121	131
	b	76	83
cable nominal cross-section area(mm ²)		1-2.5	2.5-6

5P16A 380V(SK5152)/5P32A 380V(SK5252)



电 流 Current (A) : 63A.125A
电 压 Voltage(V) : 220-380V-3P+N+E
240-415V-3P+N+E
防护等级 Protection degree: IP67

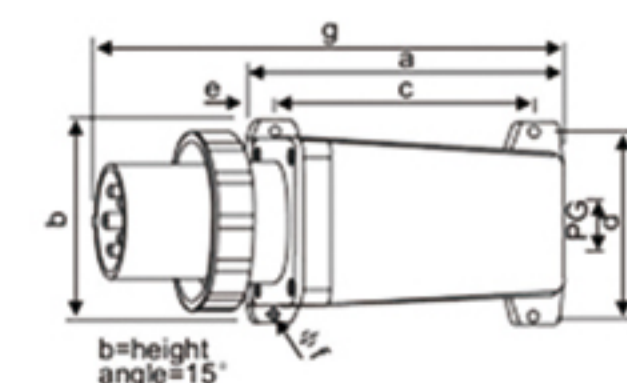


earth contact position		6h	
rated current(A)		16	32
	pole	5	
dimension(mm)	a	121	131
	b	76	83
cable nominal cross-section area(mm ²)		1-2.5	

3P63A 220V(SK5332)/3P125A 220V(SK5432)



电 流 Current (A) : 63A.125A
电 压 Voltage(V) : 220-240V-2P+E
防护等级 Protection degree: IP67



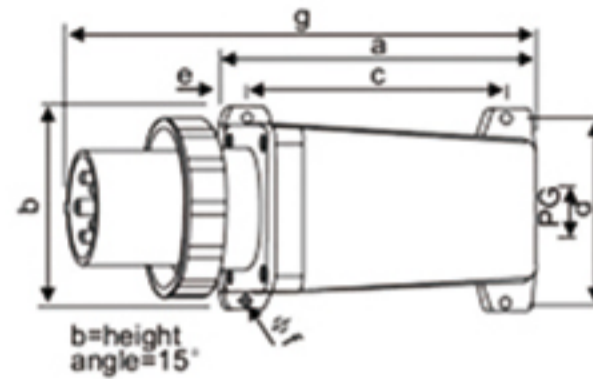
earth contact position		6h	
rated current(A)		16	32
	pole	3	
dimension(mm)	a	193	220
	b	122	140
	c	153	185
	d	109	130
	e	19	17
	f	6	8
	g	288	330
	h	127	140
	pg	29	36
	cable nominal cross-section area(mm ²)		6-16

工业用插头 Industrial plug

4P63A 380V(SK5342)/4P125A 380V(SK5442)



电 流 Current (A) : 63A.125A
电 压 Voltage(V): 380-415V~3P+E
防护等级 Protection degree: IP67

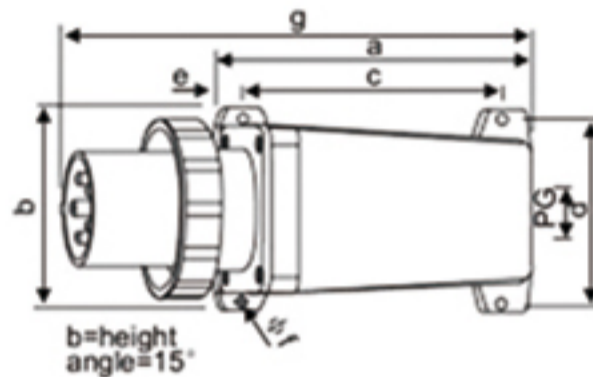


earth contact position		6h	
rated current(A)		16	32
	pole	4	
dimension(mm)	axb	193	220
	axb	122	140
	cx d	153	185
	e	109	130
	f	19	17
	g	6	8
	h	288	330
	i	127	140
		29	36
cable nominal cross-section area(mm²)		1-2.5	2.5-6

5P63A 380V(SK5352)/5P125A 380V(SK5452)



电 流 Current (A) : 63A.125A
电 压 Voltage(V): 220-380V~ 240-415V~ 3P+N+E
防护等级 Protection degree: IP67

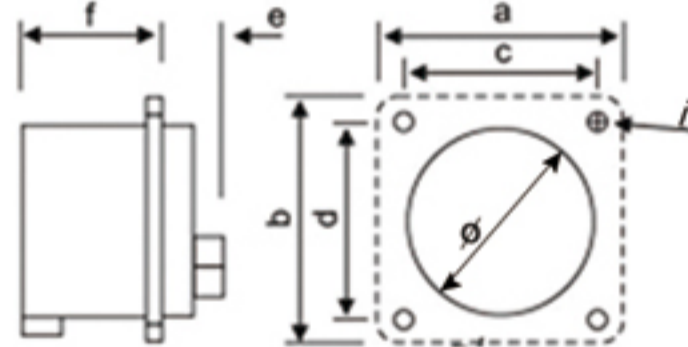


earth contact position		6h		
rated current(A)		16	32	
	pole	5		
dimension(mm)	a	193	220	
	b	122	140	
	c	153	185	
	d	109	130	
	e	19	17	
	f	6	8	
	g	288	330	
	h	127	140	
		pg	29	36
	cable nominal cross-section area(mm²)		6-16	16-50

3P16A 220V(SKN613)/3P32A 220V(SKN623)



电 流 Current (A) : 16A.32A
电 压 Voltage(V): 220-250V~2P+E
防护等级 Protection degree: IP44

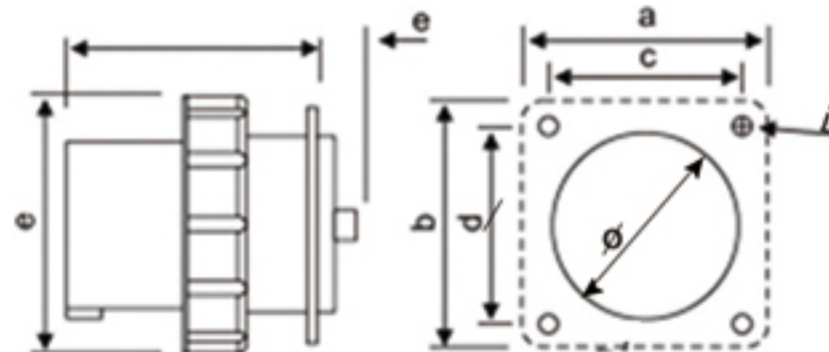


earth contact position		6h	
rated current(A)		16	32
	pole	3	
dimension(mm)	a	75	75
	b	75	75
	c	61	61
	d	61	61
	e	25	30
	f	41	50
	i	5	5
	∅	43	55
	cable nominal cross-section area(mm²)		1-2.5

3P16A 220V(SK6132)/3P32A 220V(SK6232)



电 流 Current (A) : 16A.32A
电 压 Voltage(V): 220-250V~2P+E
防护等级 Protection degree: IP67

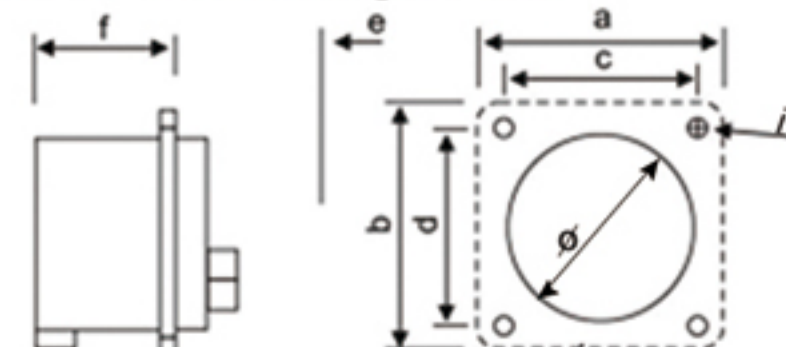


earth contact position		6h	
rated current(A)		16	32
	pole	3	
dimension(mm)	a	75	75
	b	75	75
	c	61	61
	d	61	61
	e	25	30
	f	41	50
	i	5	5
	∅	43	55
	cable nominal cross-section area(mm²)		1-2.5

4P16A 380V(SKN614)/4P32A 380V(SKN624)



电 流 Current (A) : 16A.32A
电 压 Voltage(V): 380-415V~3P+E
防护等级 Protection degree: IP44



earth contact position		6h	
rated current(A)		16	32
	pole	4	
dimension(mm)	a	75	75
	b	75	75
	c	61	61
	d	61	61
	e	25	30
	f	41	50
	i	5	5
	∅	43	55
	cable nominal cross-section area(mm²)		1-2.5



3 2P+E
4 3P+E
5 3P+N+E



3pol 4pol 5pol
4h 4h 4h



3pol 4pol 5pol
6h 9h 9h



3pol 4pol 5pol
9h 6h 6h



3pol 4pol 5pol
7h 7h 7h



3pol 4pol 5pol
10h 10h 10h



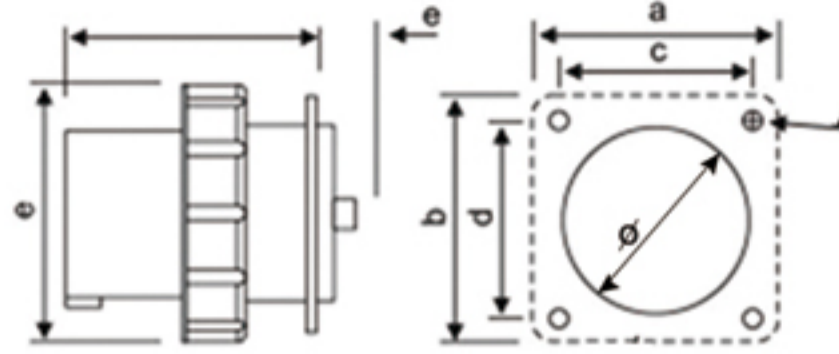
3pol 4pol 5pol
2h 2h 2h

JOSHOR[®]

4P16A 380V(SK6142)/4P32A 380V(SK6242)



电 流 Current (A) : 16A.32A
电 压 Voltage(V) : 380-415V~3P+E
防护等级 Protection degree: IP67

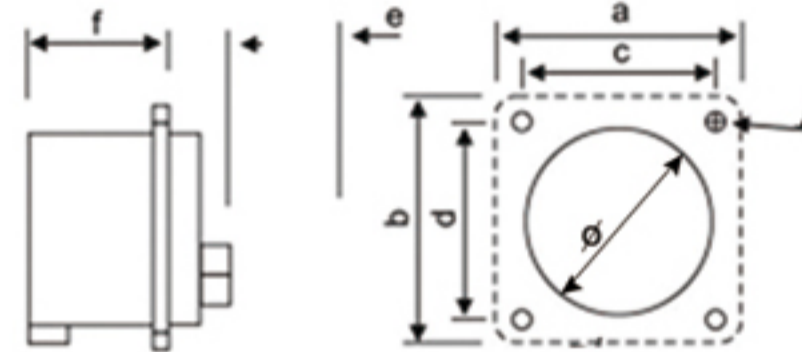


earth contact position		6h	
rated current(A)		16	32
	pole	4	
dimension(mm)	a	75	75
	b	75	75
	c	61	61
	d	61	61
	e	25	30
	f	41	50
	i	5	5
	phi	43	55
	cable nominal cross-section area(mm ²)		1-2.5

5P16A 380V(SKN615)/5P32A 380V(SKN625)



电 流 Current (A) : 16A.32A
电 压 Voltage(V) : $\frac{220-380V}{240-415V}$ ~3P+N+E
防护等级 Protection degree: IP44

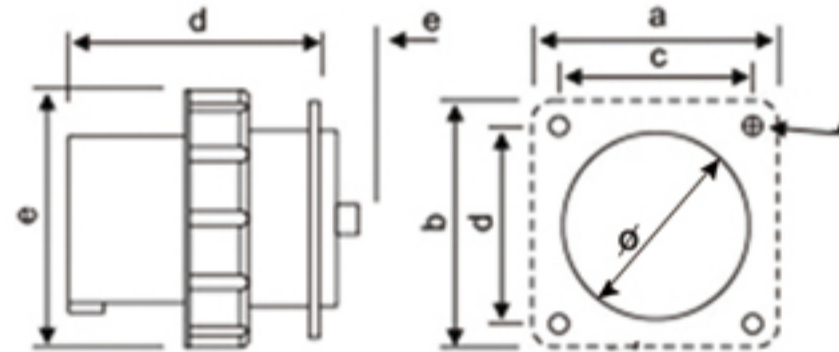


earth contact position		6h	
rated current(A)		16	32
	pole	5	
dimension(mm)	a	75	75
	b	75	75
	c	61	61
	d	61	61
	e	25	30
	f	41	50
	i	5	5
	phi	43	55
	cable nominal cross-section area(mm ²)		1-2.5

5P16A 380V(SK6152)/5P32A 380V(SK6252)



电 流 Current (A) : 16A.32A
电 压 Voltage(V) : $\frac{220-380V}{240-415V}$ ~3P+N+E
防护等级 Protection degree: IP67

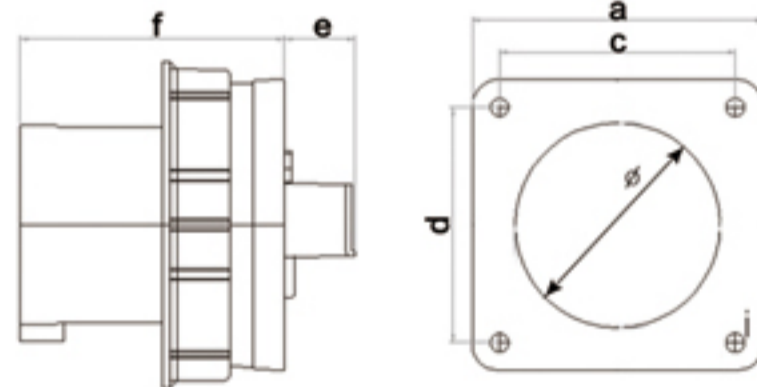


earth contact position		6h	
rated current(A)		16	32
	pole	5	
dimension(mm)	a	75	75
	b	75	75
	c	61	61
	d	61	61
	e	25	30
	f	41	50
	i	5	5
	phi	43	55
	cable nominal cross-section area(mm ²)		1-2.5

3P63A 220V(SK6332)/3P125A 220V(SK6432)



电 流 Current (A) : 63A.125A
电 压 Voltage(V) : 220-250V~2P+E
防护等级 Protection degree: IP67

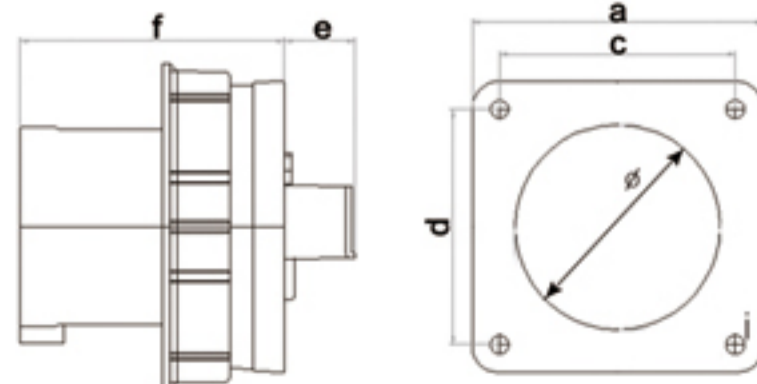


earth contact position		6h	
rated current(A)		63	125
	pole	3	
dimension(mm)	a	100	120
	b	100	120
	c	80	101
	d	80	101
	e	13	22
	f	99	110
	phi	73	84
	i	6	6
	cable nominal cross-section area(mm ²)		6-16

4P63A 380V(SK6342)/4P125A 380V(SK6442)


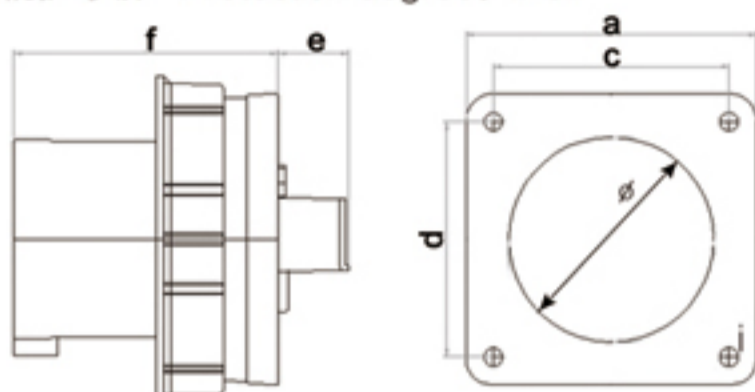


电 流 Current (A) : 63A.125A
电 压 Voltage(V) : 380-415V~3P+E
防护等级 Protection degree: IP67


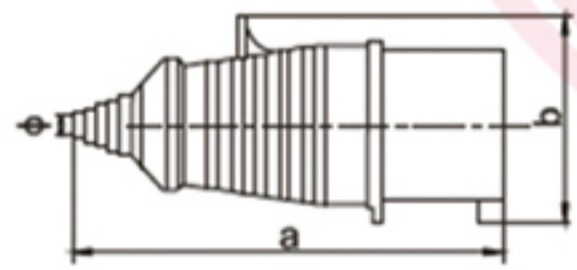



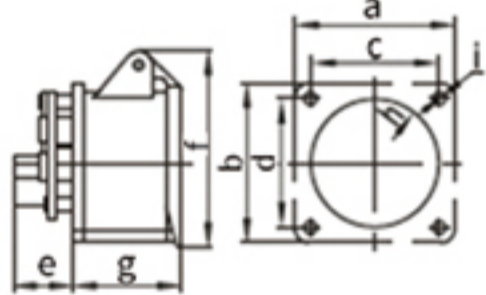
earth contact position		6h	
rated current(A)		63	125
	pole	4	
dimension(mm)	a	100	120
	b	100	120
	c	80	101
	d	80	101
	e	13	22
	f	99	110
	phi	73	84
	i	6	6
	cable nominal cross-section area(mm ²)		6-16

工业用插头 Industrial plug



	5P63A 380V(SK6352)/5P125A 380V(SK6452)	电 流 Current (A) : 63A.125A 电 压 Voltage(V): 380-415V~3P+E 防护等级 Protection degree: IP67	<table border="1"> <tr> <td>earth contact position</td> <td colspan="2">6h</td> </tr> <tr> <td>rated current(A)</td> <td>63</td> <td>125</td> </tr> <tr> <td></td> <td colspan="2">pole 4</td> </tr> <tr> <td rowspan="9">dimension(mm)</td> <td>a</td> <td>100</td> <td>120</td> </tr> <tr> <td>b</td> <td>100</td> <td>120</td> </tr> <tr> <td>c</td> <td>80</td> <td>101</td> </tr> <tr> <td>d</td> <td>80</td> <td>101</td> </tr> <tr> <td>e</td> <td>13</td> <td>22</td> </tr> <tr> <td>f</td> <td>99</td> <td>110</td> </tr> <tr> <td>o</td> <td>73</td> <td>84</td> </tr> <tr> <td>i</td> <td>6</td> <td>6</td> </tr> <tr> <td>cable nominal cross-section area(mm²)</td> <td>6-16</td> <td>16-50</td> </tr> </table>	earth contact position	6h		rated current(A)	63	125		pole 4		dimension(mm)	a	100	120	b	100	120	c	80	101	d	80	101	e	13	22	f	99	110	o	73	84	i	6	6	cable nominal cross-section area(mm ²)	6-16	16-50
	earth contact position	6h																																						
rated current(A)	63	125																																						
	pole 4																																							
dimension(mm)	a	100	120																																					
	b	100	120																																					
	c	80	101																																					
	d	80	101																																					
	e	13	22																																					
	f	99	110																																					
	o	73	84																																					
	i	6	6																																					
	cable nominal cross-section area(mm ²)	6-16	16-50																																					
																																								


8P10A/9P10A插头插座

	8P10A 380V IP44 (SK018)	<table border="1"> <tr> <th>产品名称 Product name</th> <th>产品型号 Model</th> <th>电流 (A) Electric current</th> <th>接地位置 Earthing position</th> <th>电压 Voltage</th> <th>极数 The number of poles</th> <th>防护等级 Protection grade</th> </tr> <tr> <td>插头 Plugs</td> <td>SK-018</td> <td>10A</td> <td>6h</td> <td>380-415V~</td> <td>6P+N+E</td> <td>IP44</td> </tr> <tr> <td>插头 Plugs</td> <td>SK-019</td> <td>10A</td> <td>6h</td> <td>380-415V~</td> <td>7P+N+E</td> <td>IP44</td> </tr> </table>	产品名称 Product name	产品型号 Model	电流 (A) Electric current	接地位置 Earthing position	电压 Voltage	极数 The number of poles	防护等级 Protection grade	插头 Plugs	SK-018	10A	6h	380-415V~	6P+N+E	IP44	插头 Plugs	SK-019	10A	6h	380-415V~	7P+N+E	IP44
	产品名称 Product name	产品型号 Model	电流 (A) Electric current	接地位置 Earthing position	电压 Voltage	极数 The number of poles	防护等级 Protection grade																
插头 Plugs	SK-018	10A	6h	380-415V~	6P+N+E	IP44																	
插头 Plugs	SK-019	10A	6h	380-415V~	7P+N+E	IP44																	
	<table border="1"> <tr> <th rowspan="2">尺寸(mm) 型号</th> <th>a</th> <th>b</th> <th>c</th> <th rowspan="2">电缆截面积(mm²) cable nominal cross section area</th> </tr> <tr> <td>SK-019</td> <td>240</td> <td>115</td> <td>30</td> <td>6-16</td> </tr> <tr> <td>SK-018</td> <td>240</td> <td>115</td> <td>30</td> <td>6-16</td> </tr> </table>	尺寸(mm) 型号	a	b	c	电缆截面积(mm ²) cable nominal cross section area	SK-019	240	115	30	6-16	SK-018	240	115	30	6-16							
尺寸(mm) 型号	a		b	c	电缆截面积(mm ²) cable nominal cross section area																		
	SK-019	240	115	30		6-16																	
SK-018	240	115	30	6-16																			

	8P10A 380V IP44 (SK318)	<table border="1"> <tr> <th>产品名称 Product name</th> <th>产品型号 Model</th> <th>电流 (A) Electric current</th> <th>接地位置 Earthing position</th> <th>电压 Voltage</th> <th>极数 The number of poles</th> <th>防护等级 Protection grade</th> </tr> <tr> <td>暗装直座 Socket</td> <td>SK-318</td> <td>10A</td> <td>6h</td> <td>380-415V~</td> <td>6P+N+E</td> <td>IP44</td> </tr> <tr> <td>暗装直座 Socket</td> <td>SK-319</td> <td>10A</td> <td>6h</td> <td>380-415V~</td> <td>7P+N+E</td> <td>IP44</td> </tr> </table>	产品名称 Product name	产品型号 Model	电流 (A) Electric current	接地位置 Earthing position	电压 Voltage	极数 The number of poles	防护等级 Protection grade	暗装直座 Socket	SK-318	10A	6h	380-415V~	6P+N+E	IP44	暗装直座 Socket	SK-319	10A	6h	380-415V~	7P+N+E	IP44								
	产品名称 Product name	产品型号 Model	电流 (A) Electric current	接地位置 Earthing position	电压 Voltage	极数 The number of poles	防护等级 Protection grade																								
暗装直座 Socket	SK-318	10A	6h	380-415V~	6P+N+E	IP44																									
暗装直座 Socket	SK-319	10A	6h	380-415V~	7P+N+E	IP44																									
	<table border="1"> <tr> <th rowspan="2">尺寸(mm) 型号</th> <th>a</th> <th>b</th> <th>c</th> <th>d</th> <th>e</th> <th>f</th> <th>g</th> <th>h</th> <th rowspan="2">电缆截面积(mm²) cable nominal cross section area</th> </tr> <tr> <td>SK-318</td> <td>67</td> <td>67</td> <td>53</td> <td>53</td> <td>30</td> <td>85</td> <td>50</td> <td>48</td> <td>1-2.5</td> </tr> <tr> <td>SK-319</td> <td>67</td> <td>67</td> <td>53</td> <td>53</td> <td>30</td> <td>85</td> <td>50</td> <td>48</td> <td>1-2.5</td> </tr> </table>	尺寸(mm) 型号	a	b	c	d	e	f	g	h	电缆截面积(mm ²) cable nominal cross section area	SK-318	67	67	53	53	30	85	50	48	1-2.5	SK-319	67	67	53	53	30	85	50	48	1-2.5
尺寸(mm) 型号	a		b	c	d	e	f	g	h	电缆截面积(mm ²) cable nominal cross section area																					
	SK-318	67	67	53	53	30	85	50	48		1-2.5																				
SK-319	67	67	53	53	30	85	50	48	1-2.5																						

一拖三多功能插座

	3P16A IP67 220V(SK10132)	输入 1plug 16A.32A Input: 220V 2P+E 输出 3 Connector Output: 220V~ 2P+E 防护等级 Protection degree: IP67 颜色 Color: Blue		3P16A 110V IP67(SK10132-4H)	输入 1plug 16A.32A Input: 220V 2P+E 输出 3 Connector Output: 2110V~ 2P+E 防护等级 Protection degree: IP67 颜色 Color: Yellow
---	--------------------------	--	---	-----------------------------	---

	3P16A IP44 220V(SKN1013)	输入 1plug 16A.32A Input: 220V 2P+E 输出 3 Connector Output: 220V 2P+E 防护等级 Protection degree: IP44 颜色 Color: Blue		3P16A 220V(SK10133)/3P32A 220V(SK1023)	输入 1plug 16A.32A Input: 220V 2P+E 输出 3 Connector Output: 220V 2P+E 防护等级 Protection degree: IP44 颜色 Color: Blue
---	--------------------------	---	---	--	---



温州索开电气有限公司

WENZHOU SUOKAI ELECTRIC CO., LTD

地址(ADD): 乐清市柳市镇后西垟工业区

电话(TEL): 0577-2777 5678

传真(FAX): 0577-2777 3399

网址(URL): [HTTP://WWW.SCHUKO.CN](http://www.schuko.cn)

邮箱(E-MAIL): SCHUKO@QQ.COM

本手册供产品选型参考，产品图片及安装尺寸以实物为准，如有改动不作另行通知，不承担任何法律责任。

